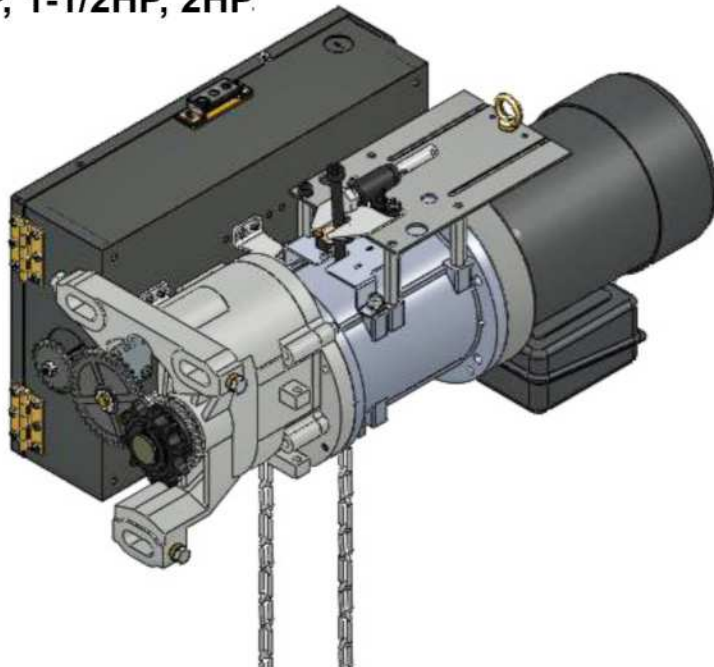


» OPERADOR INDUSTRIAL VS FUEGO PARA CORTINA ENROLLABLE MARCA
COOKSON, CORNELL, RAYNOR LAWRENCE DOOR SERIE FGH 115V/230V
1/2HP, 3/4HP, 1HP, 1-1/2HP, 2HP.



FGH Series **1HP**

Commercial and Industrial Fire Door Operator

Hybrid Logic Control

Restricted Duty Fire Door Operators

MANUAL DE INSTALACION



Versión Digital.

(229) 461-7028



portonesautomaticos@adsver.com.mx
portonesautomaticos@prodigy.net.mx



RESIDENCIAL



COMERCIAL



INDUSTRIAL

MEMBER



International Door Association



V05.21

IMPORTANT INSTALLATION INSTRUCTIONS

WARNING –To reduce the risk of death or serious injury to persons:

1. READ AND FOLLOW ALL INSTALLATION INSTRUCTIONS.



WARNING

WARNING! – Components under **extreme spring tension** can cause death or serious injury.

2. Install only on a properly operating and balanced door. A door that is operating improperly could cause death or serious injury. Have trained door systems technicians make all necessary adjustments and repairs to the door before installing the operator.

Note: Fire door spring tension must be adjusted per the manufacturer's installation instructions to allow for automatic closing during fusible link/alarm activation and drop test. If an operator is connected to an alarm release, the door must also close in a power failure unless closing functions are supported by an approved battery back-up system.)

3. Remove any pull ropes that may be installed on the door.
4. Unless the door operator includes an internal lock sensing system, or external electrical interlocks are installed, remove or make all door locks inoperative, or secure locks in the unlocked position to prevent operation with the locks engaged.
5. Install the door operator at least 8 feet or more above the floor if the operator has exposed moving parts. If the operator must be mounted less than 8 feet (2.44 m) above the floor, then exposed moving parts must be protected by covers or guarding. Contact the manufacturer.
6. Install the fusible link cable from the release module on top of the operator per the requirements of NFPA-80.
7. Do not connect the door operator to the source of power until instructed to do so.
8. Locate the control station (open-close-stop push button, key station, or the like):
(a) within sight of the door, and (b) at a minimum height of 5 feet above floors, landings, steps, or any other adjacent walking surface and (c) away from all moving parts of the door.
9. Install the Entrapment Warning Placard next to the control station in a prominent location.
10. Make sure the available power supply to be connected to the operator is of the same voltage, frequency, phase and wattage as indicated on the nameplate of the operator.
11. Read and understand the wiring diagram of the operator and the control station and any other equipment to be connected to the operator.

12. Always disconnect power whenever installing or servicing the door operator or door.
13. All wiring must be permanent and comply with National Electrical Code (NEC) and local code requirements.
14. Any change in mounting position may result in a change of operator rotation and consequently in a change of control functions. Consult factory for any changes.
15. If the operator is provided with an auxiliary chain operator, the hand chain must be kept inside the chain bag when operating electrically.
16. For products having a manual release, instruct the end user on the operation of the manual release.

SPECIFICATIONS

MOTOR	
Type:	Restricted cycle duty (30 cycles per hour)
Horsepower:	1/2 hp, 3/4 hp, 1 hp, 1½ hp, 2 hp
Speed:	1700 RPM
Voltage:	115, 230 – 1 phase 208/230, 460, 575 – 3 phase 230 volt 3 phase motor is suitable for use with 208 volts (see <i>Wiring Diagrams and Appendix 6 for wiring change instructions</i>)
Current:	See motor nameplate
ELECTRICAL	
Transformer:	24VAC
Wiring Type:	Momentary pressure open, stop, constant pressure close (provided standard), with provision for momentary pressure close*
Limit Adjustment:	Linear driven, fully adjustable screw type cams.
MECHANICAL	
Drive Reduction:	43:1 (1/2 & 3/4 hp), 57:1 (1 & 1½ hp), 82:1 (2 hp)
Output Shaft Speed:	39 RPM (1/2 & 3/4 hp), 30 RPM (1 & 1½ hp), 21 RPM (2 hp)
Door Speed:	6 - 8" per sec. average (typical)
Brake:	Solenoid actuated brake
Auxiliary Chain Hoist:	Standard
ENTRAPMENT PROTECTION	
Sensing Edge*:	(Optional) Sensing device attached to the bottom edge of the door.
Non-Contact Device*:	(Optional) Photo eye device.
<p>* Per the requirements of UL Standard 325, the door operator is setup for constant pressure to close the door. As an alternative, the door may be provided with at least one <u>monitored</u> sensing device that will reverse the door upon contact with, or upon detecting an obstruction, during closing.</p>	

Notes:

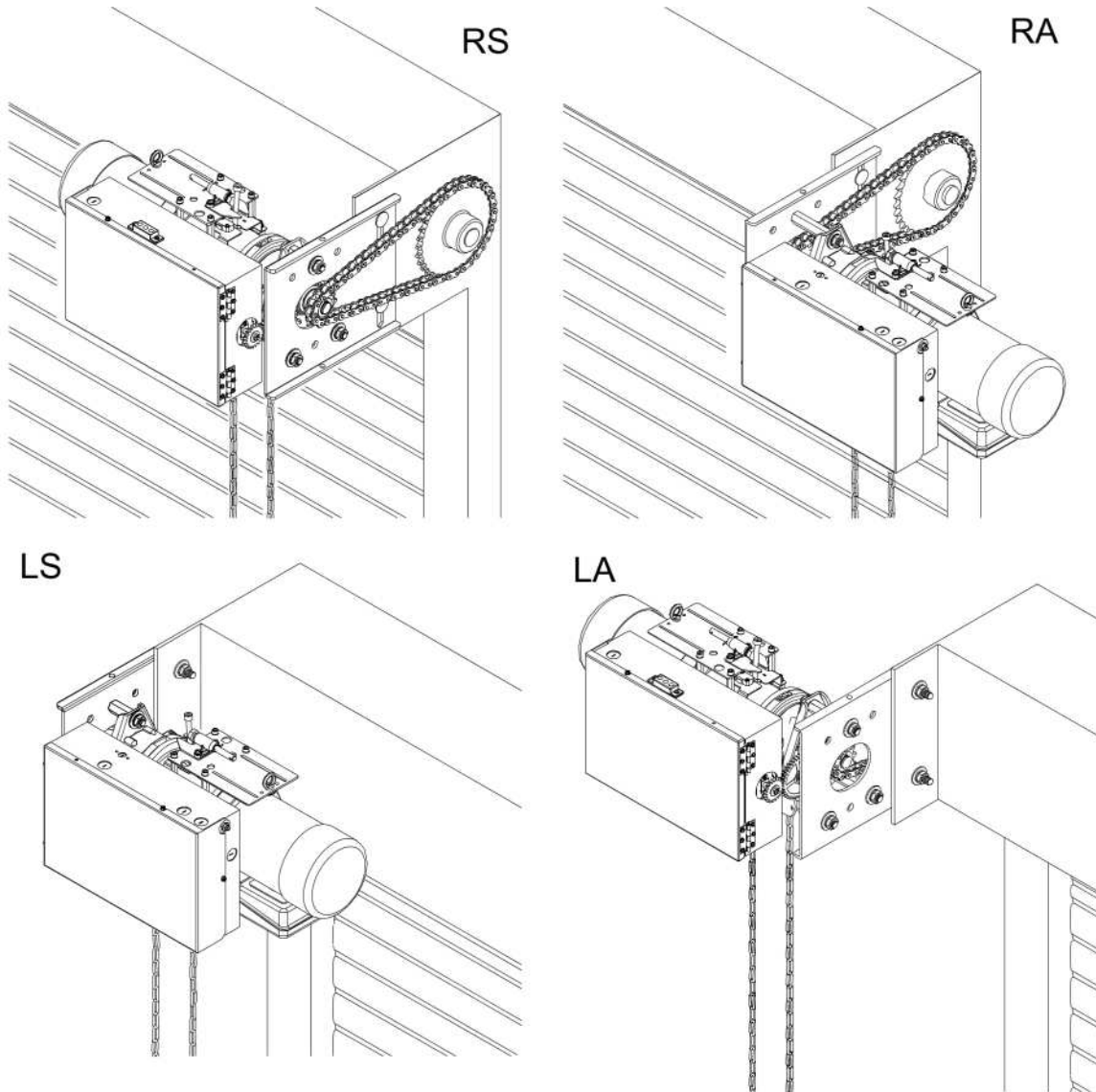
1. A non-contact sensing device (photo eye) can only be used on doors up to 35 ft. wide (or maximum rated range of device if less than 35 ft.). Use a sensing edge to provide entrapment protection on doors over 35 ft. wide.
2. A sensing edge can be used on all doors without size restriction.

TYPES AND SIZES OF DOORS

HP	MAXIMUM AREA - SQ. FT.								
	Fire Doors			Insulated Fire Doors					
				24 ga Back			22 ga Back		
	22 ga	20 ga	18 ga	22 ga	20 ga	18 ga	22 ga	20 ga	18 ga
1/2	256	213	160	128	116	98	122	107	91
3/4	341	284	213	171	155	131	162	142	122
1	426	355	267	213	194	164	203	178	152
1½		514	385	308	280	237	293	257	220
2		685	514	411	374	316	391	342	293

INSTALLATION INSTRUCTIONS

INSTALLATION POSITIONS (for 1/2 hp and 3/4hp)

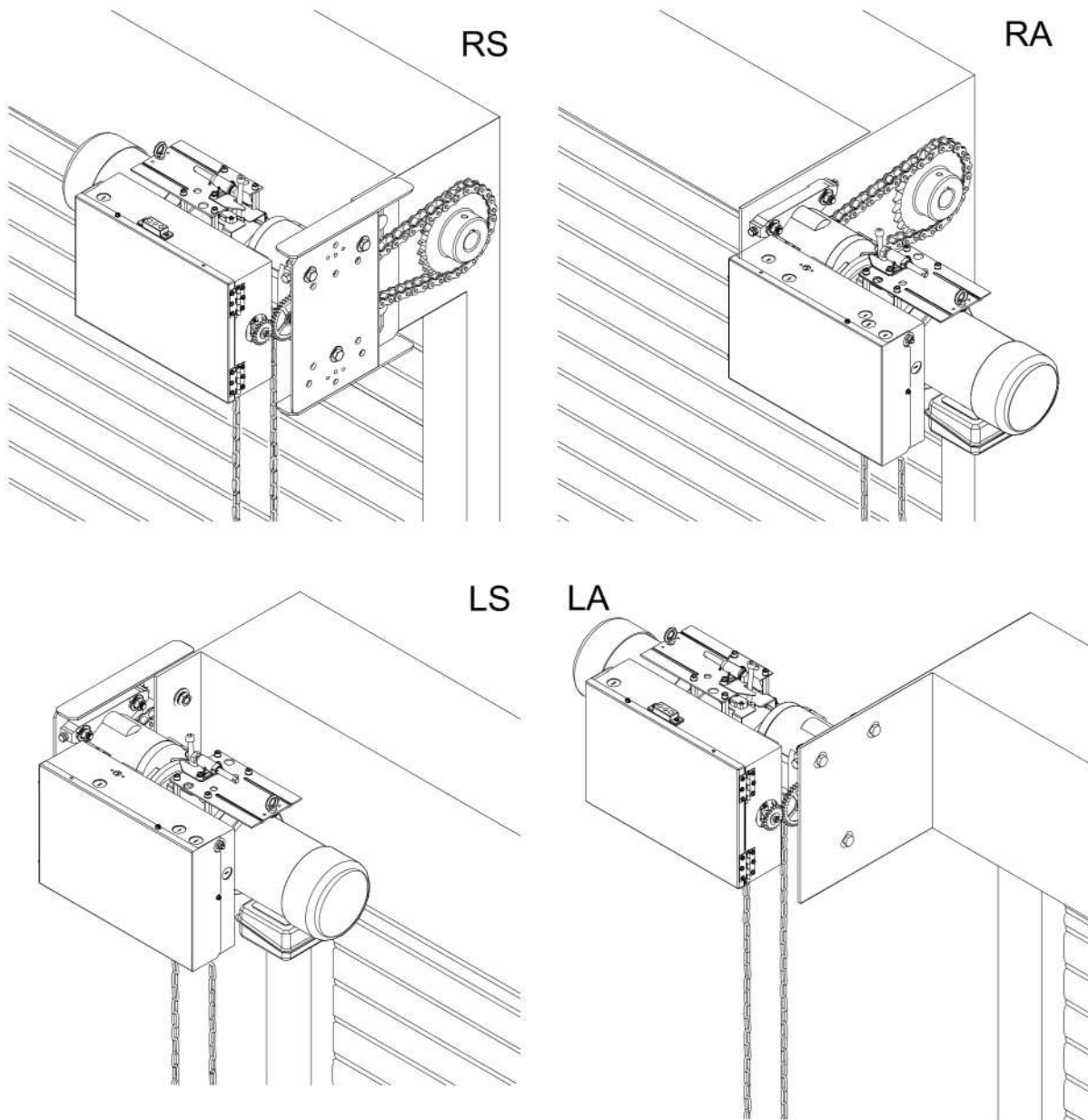


Consult factory for changes in mounting positions.

NOTE: Any change in mounting position may result in a change of operator rotation and consequently in a change of control functions. Consult factory for any changes. (LS and RA mounting positions are LH operators, RS and LA positions are RH operators)

Operators mounted in alternate positions (LA, RA) require the long mounting legs in lieu of the standard short mounting legs.

INSTALLATION POSITIONS (for 1hp, 1-1/2hp)



Installation positions for larger horsepower units are similar to as shown above.

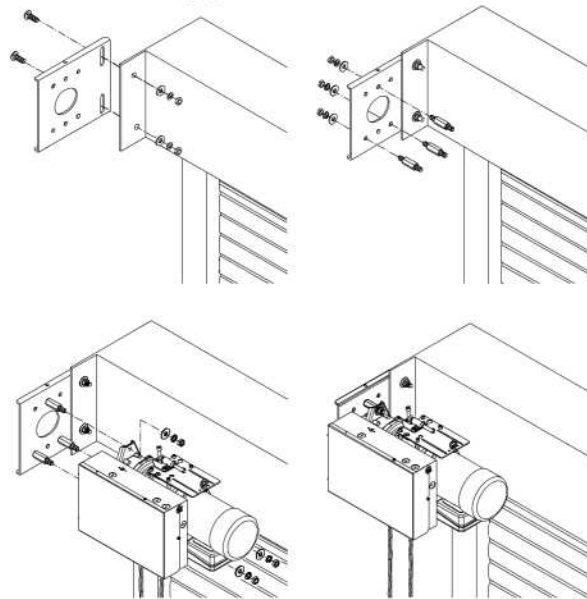
Consult factory for changes in mounting positions.

NOTE: Any change in mounting position may result in a change of operator rotation and consequently in a change of control functions. Consult factory for any changes. (LS and RA mounting positions are LH operators, RS and LA positions are RH operators)

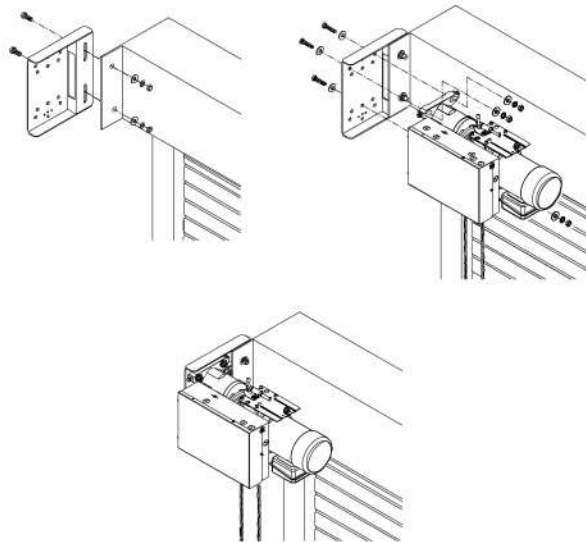
Operators mounted in alternate positions (LA, RA) require a straight mounting plate in lieu of the standard bent plate.

OPERATOR MOUNTING

1. Before the operator is installed, verify that the door is properly operating and balanced.
2. Make sure the layout of the mounting holes on the bracket is correct.
3. Bolt the operator mounting plate to the door bracket plate.
4. Attach and tighten the three mounting legs to the mounting plate. (Not applicable for larger than 3/4hp)
5. Mount the operator to the three legs and tighten (for 1/2 and 3/4 only). For larger horsepower, mount the operator base to the mounting plate.



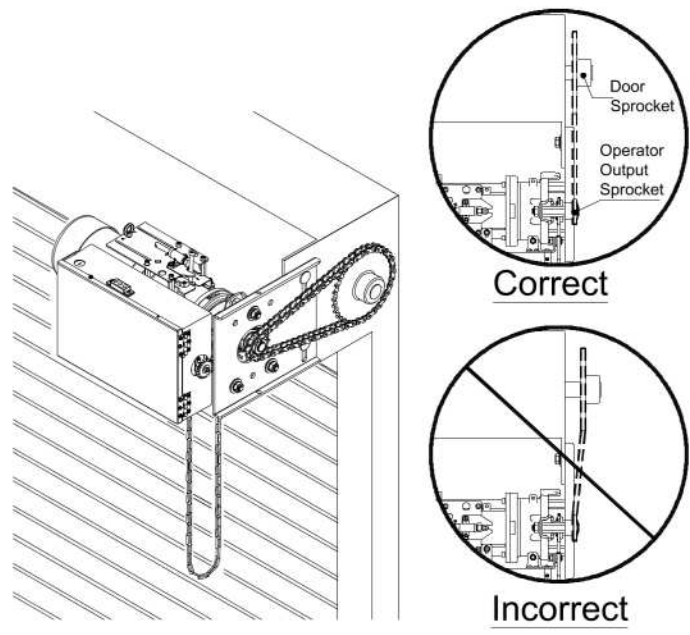
(Figure 1 for 1/2hp and 3/4hp)



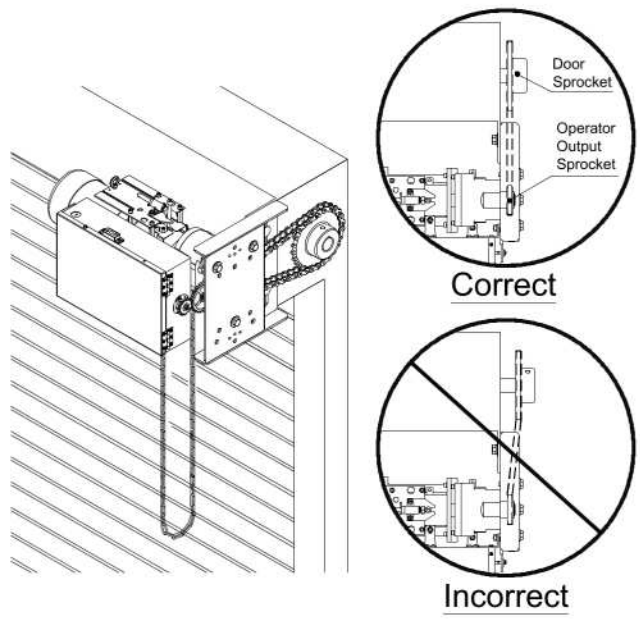
(Figure 2 for 1hp, 1 1/2hp)

Mounting for larger horsepower units is similar to as shown above.

6. When the operator assembly is attached to the door bracket, be sure the door driven sprocket is properly aligned with the operator drive sprocket before securing the driven sprocket to the shaft. (See Figure 1 for 1/2hp and 3/4hp; see Figure 2 for the 1hp and 1½hp)
7. The bracket must provide adequate support for the operator. Prevent play between the operator and the door shaft. The operator must be securely attached with the drive shaft parallel to the door shaft. It may be necessary to field brace the operator/bracket.



(Figure 1 for 1/2hp and 3/4hp)



(Figure 2 for 1hp, 1½hp)

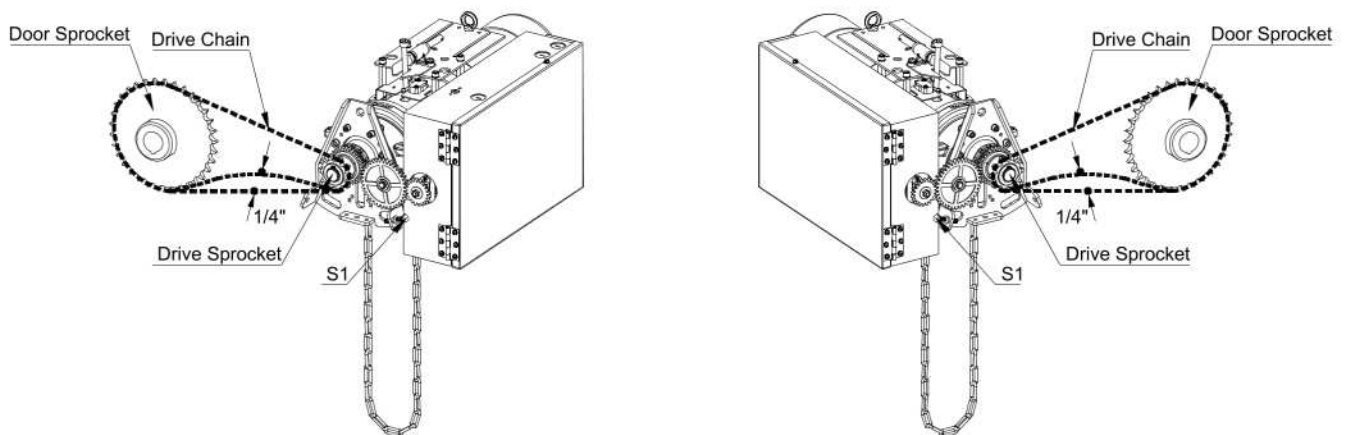
DRIVE CHAIN ADJUSTMENT

NOTE: Use correct type, size and proper length of roller chain.

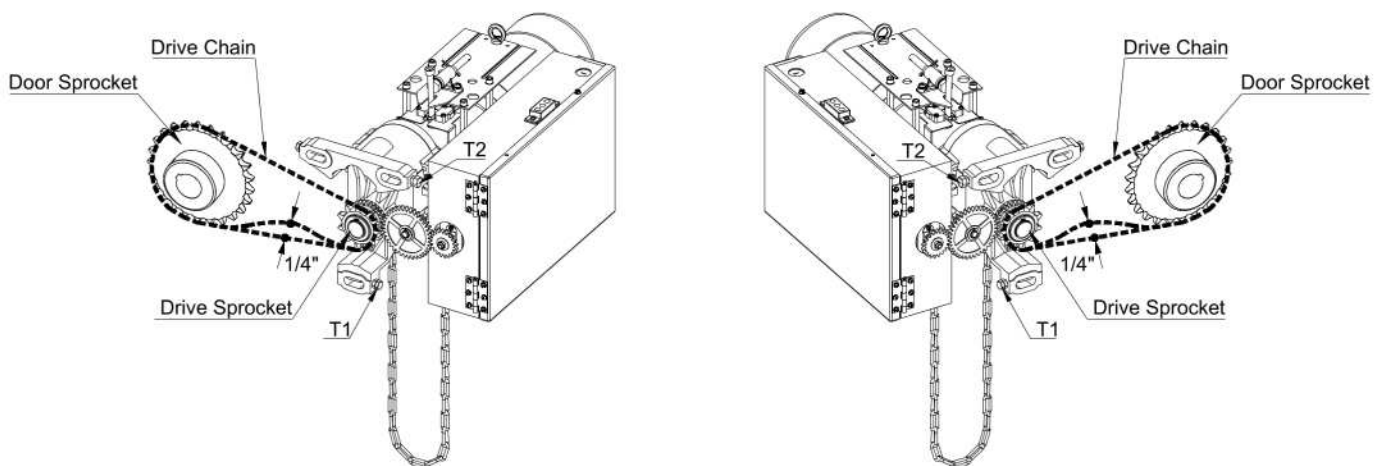
1. Adjust the drive chain by tilting or move the operator so that there is about 1/4" of slack when the chain is depressed.

Note: The set screws on the operator base (S1) may be used to make the adjustment. (See [Figure 1-S1](#) location for 1/2hp, 3/4hp), (See [Figure 2 - T1, T2](#) for 1hp, 1½hp).

2. Once the drive chain has been tightened and the base leg screws have been set, then tighten the operator screws.



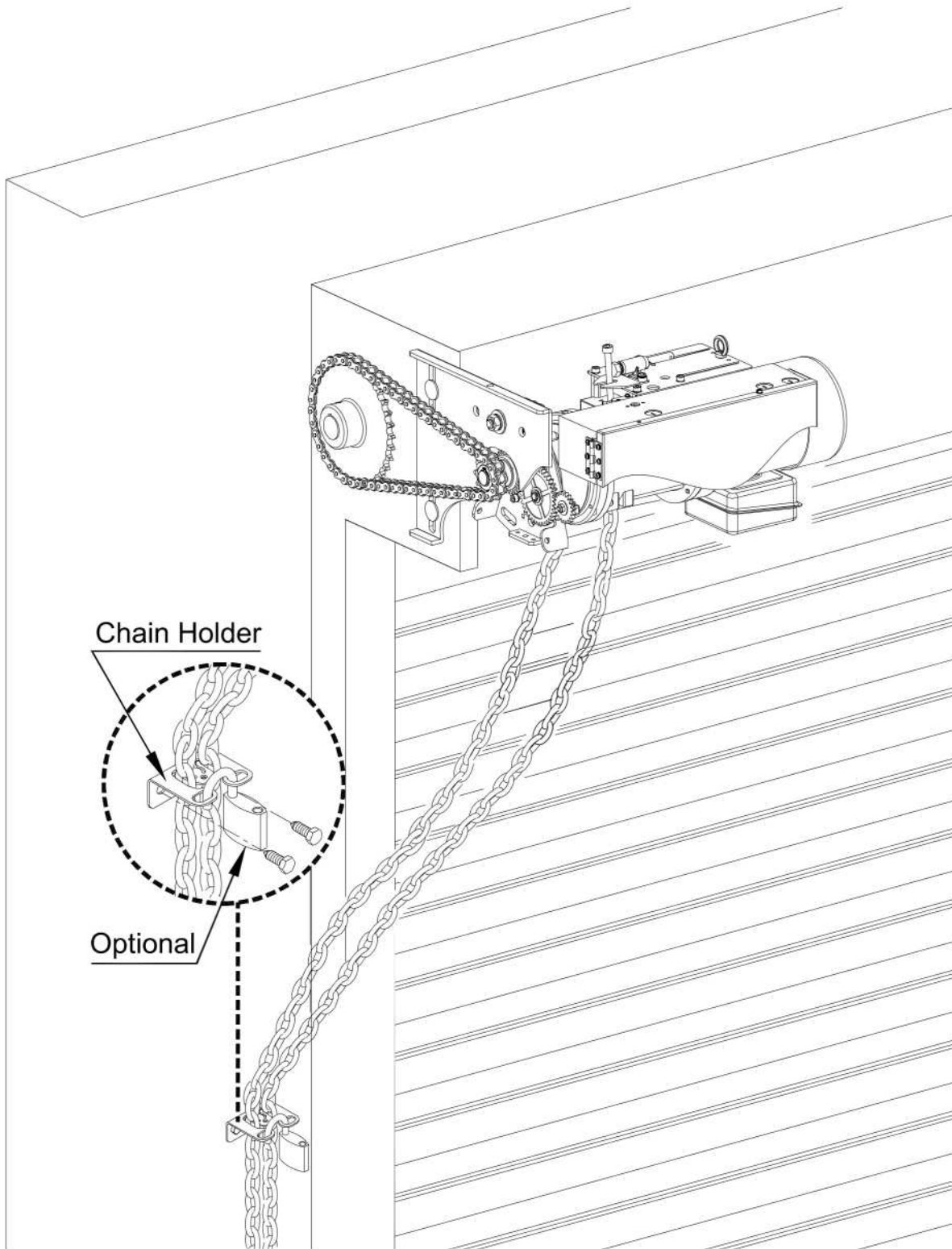
([Figure 1](#) for 1/2hp and 3/4hp)



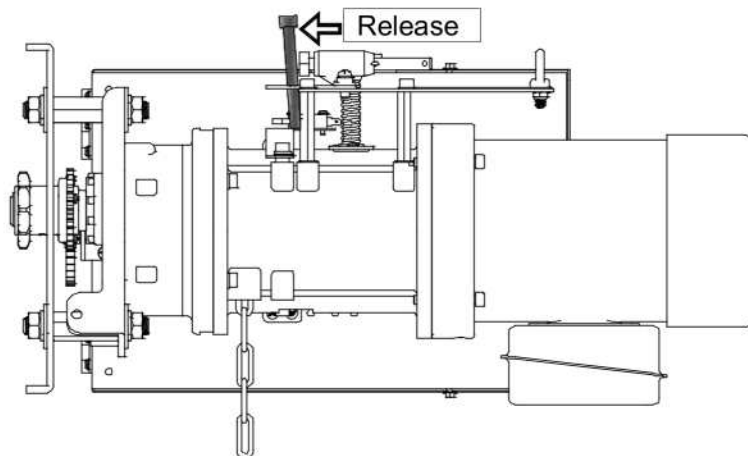
([Figure 2](#) for 1hp and 1½hp)

HAND CHAIN ADJUSTMENT

If the hand chain is too long, cut and reconnect the chain with the different color connecting link provided. Completely close the connecting link so it is properly aligned.



BRAKE RELEASE LEVER (FGH E)



WARNING

Releasing the door operator brake, or loosening or removing any part of the door operator drive system, can cause the door to close and cause death or serious injury. **Do NOT release the brake, or loosen or remove any part of the door operator drive system**, unless the door is closed, or the curtain is secured in the open position to prevent uncoiling.

1. Pressing the brake release lever will release the motor brake and can cause the door to move uncontrolled.
2. Limit switch LSA1 is activated when the brake release lever is pressed – see wiring diagrams for details.
3. Open-close-stop controls do not function while the brake release lever is pressed.
4. Fire doors using this operator have counterbalance springs that are adjusted during installation to allow the door to close automatically upon activation of the door operator release mechanism (brake release) without requiring a loss of spring tension.

LIMIT SWITCH ADJUSTMENT

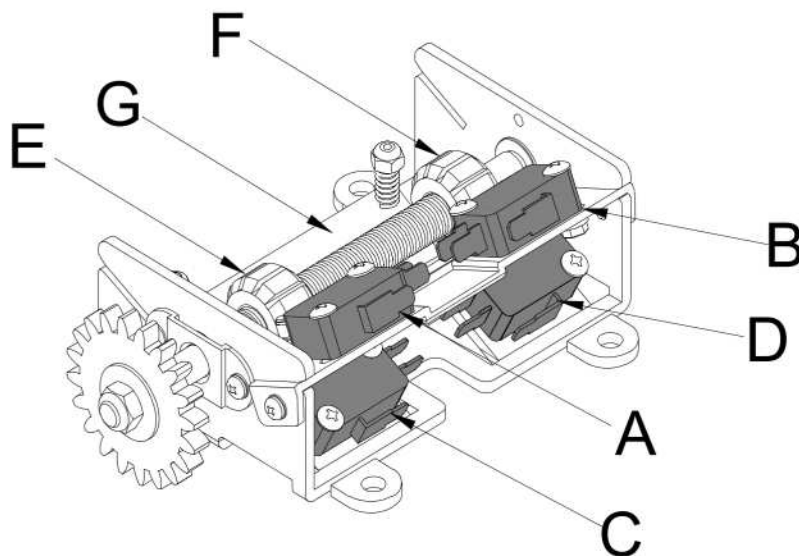
Make sure the limit cams are positioned between the limit switch actuators before proceeding with adjustments.

1. Open the control panel cover.
2. Open or close the door part way to determine the direction of travel of the limit switch cams.
3. Open or close the door to the desired position.



WARNING Disconnect power before adjusting limit switch cams.

4. While pressing the spring-loaded plate (G), which holds the limit switch cams in place, adjust the limit switch cam (E or F) until the micro switch (C or D) clicking sound is heard.
5. If the limit switch cam cannot be rotated to its desired position, release the plate and move the door away from the desired position, then adjust the limit switch cam to its desired position. It may be necessary to repeat this step until the exact position has been reached.
6. Repeat step 3 and 4 for the opposite direction. Adjust close limit cams so that actuator is engaged as door fully closes to the floor.
7. "B" is usually the sensing edge cut-off switch and can be adjusted to accommodate sensing edge cut-off position. It is recommended that the switch position be adjusted as low as possible without interfering with close limit switch function.



NOTE: "C" is usually the open limit switch and "D" is usually the close limit switch.

WIRING INSTRUCTIONS



Disconnect power at the fuse box before proceeding with any wiring.

WARNING

1. Do not install any wiring or attempt to run this operator without checking the wiring diagram located on the inside of the control box cover.
2. Do not turn on power until you have finished making all power and control wiring connections.
3. Do not run power and control wiring in the same conduit.
4. Any wire connected to the control panel must be protected by conduit or other means to ensure the safety and permanency of the wiring.
5. Use copper wire inside the control panel.
6. A separate fuse line of adequate capacity is needed for the operator.
7. The operator must be properly grounded. The ground screw, painted green, is located inside the control panel.
8. For an operator, system, or external device requiring field installed wiring between a Class 2 output of an operator and an external device, the type of wiring shall be R/C (AVLV2/8), AWM, min. 22 AWG, rated 60°C, with VW-1/FT2.



WARNING

Failure to properly ground the operator could result in electric shock and death or serious injury.



WARNING

Unless the operator includes an internal lock sensing system, or external electrical interlocks are installed, remove or make all door locks inoperative, or secure locks in the unlocked position. Failure to disable the locks could result in damage to the door or operator.

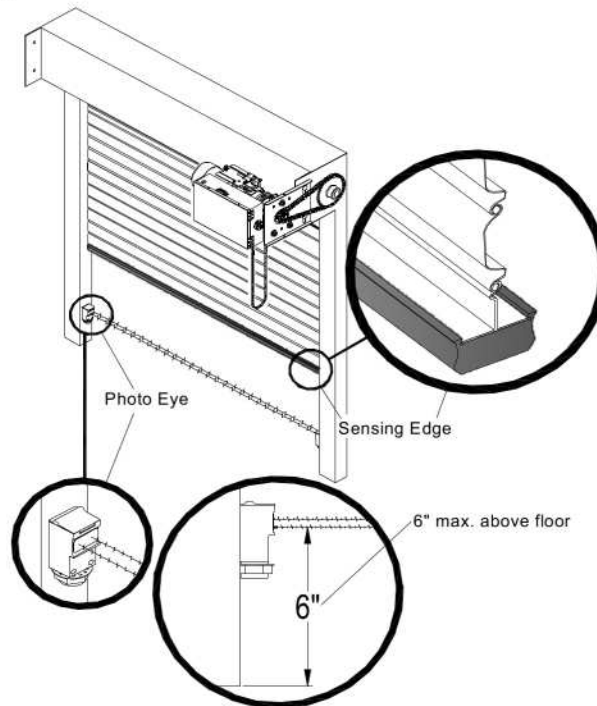
CONTROL WIRING



WARNING

If the door is not visible from the control station, or if any device other than a control station requiring constant pressure to close the door is used, a monitored sensing device must be installed on the door. Failure to do so could result in serious injury or death to person(s) trapped beneath the door.

1. Complete limit switch adjustments before making any sensing edge/non-contact device wiring connections to the operator.



Monitored Sensing Device Options:

Sensing Device Type	Device Manufacturer	Model
ELR 2-wire terminated sensing edge	ASO	25.30TTLL [A2530L-M], 15.25TTL [A1525-M], 30.70TTLa [A3070L-M], GE245, GE F45, GE F50, GE F56, GE F65, GE F85, GE F115
	Miller Edge Inc. * Must have model number with Suffix T2.	ME110*, ME111*, ME120*, ME123*, ME112*, ME113*, ME116*, ME117*
		MT21*, MU21*, MT22*, MU22*, MC22*, MU33*, MC271*, CPT223*
		MEL RB-G-K10
IR Emitter/receiver photo eyes and sensing edge	FRABA Inc.	Optical photo eyes and optical sensing edge, Models OPTOEYE [FOPE], OPTOEDGE; Part Nos. OSE-T, OSE-R, OSE-P, OPE. Reflective Photo Eye, Ray/RT -1004, -2004 [FRPE]
	Martec Access Products Inc.	1266
	Miller Edge Inc.	IG2, MIRM, MLC-K36, MLC-K72 RB-D-K10

Other approved devices may also be available – consult manufacturer for compatibility. [denotes Lawrence reference]

Note: Refer to sensing device manufacturer for specific installation and maintenance requirements.

- If more than one monitored sensing device is to be used, each device must be connected to a separate ELR/IR sensing module to provide separate monitoring functions. Consult factory for a multiple device adapter.

⚠
WARNING

Do not install a timer to close the door unless some type of monitored entrapment protection device has been installed. Failure to do so may result in death or serious injury to person(s) trapped beneath the door.

- If a timer to close (reclose timer) is to be used, a compatible reclose timer module is required that will not interfere with the monitoring of sensing device functions. Consult factory for the correct reclose timer module.

⚠
WARNING

Disconnect power at the fuse box before proceeding with any wiring.

- Locate the control station at a minimum height of 5 feet above the floor, and where the user can clearly see the operation of the door. Mount the enclosed placard adjacent to or near the door.



⚠
WARNING

Controls shall be located far enough away from the door, or positioned such that the user is prevented from coming in contact with the door, while operating the controls.

- Do not run control wiring in the same conduit as power wiring.
- Any wires connected to the control panel must be protected by conduit or other means to ensure the safety and permanency of the wiring.

⚠
WARNING

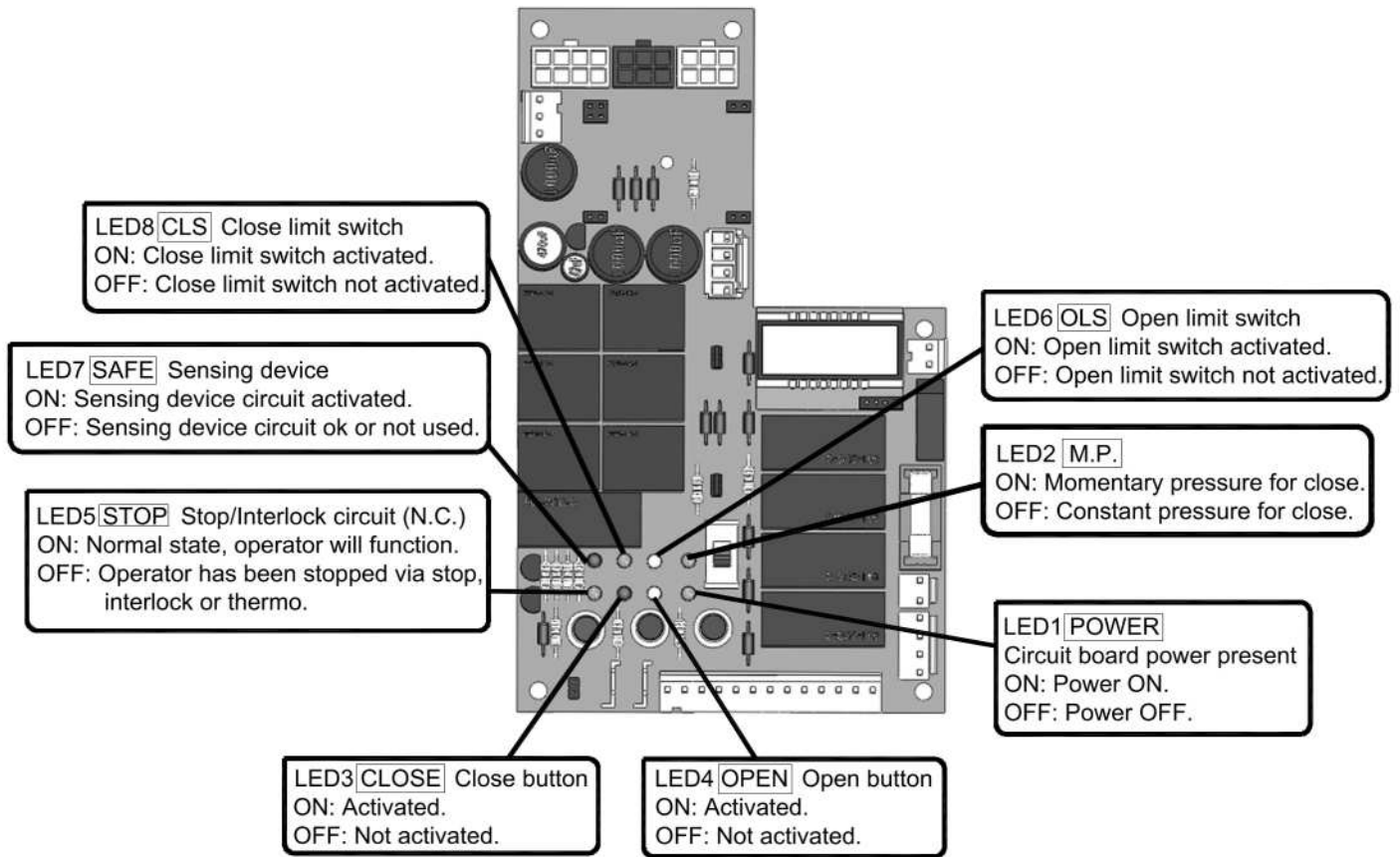
Do not install radio controls (receiver/transmitter) to operate the door unless some type of monitored entrapment protection device has been installed. Failure to do so may result in death or serious injury to person(s) trapped beneath the door.

⚠
WARNING

Changing from left hand to right hand or vice versa could result in change of control wiring. Consult factory for details.

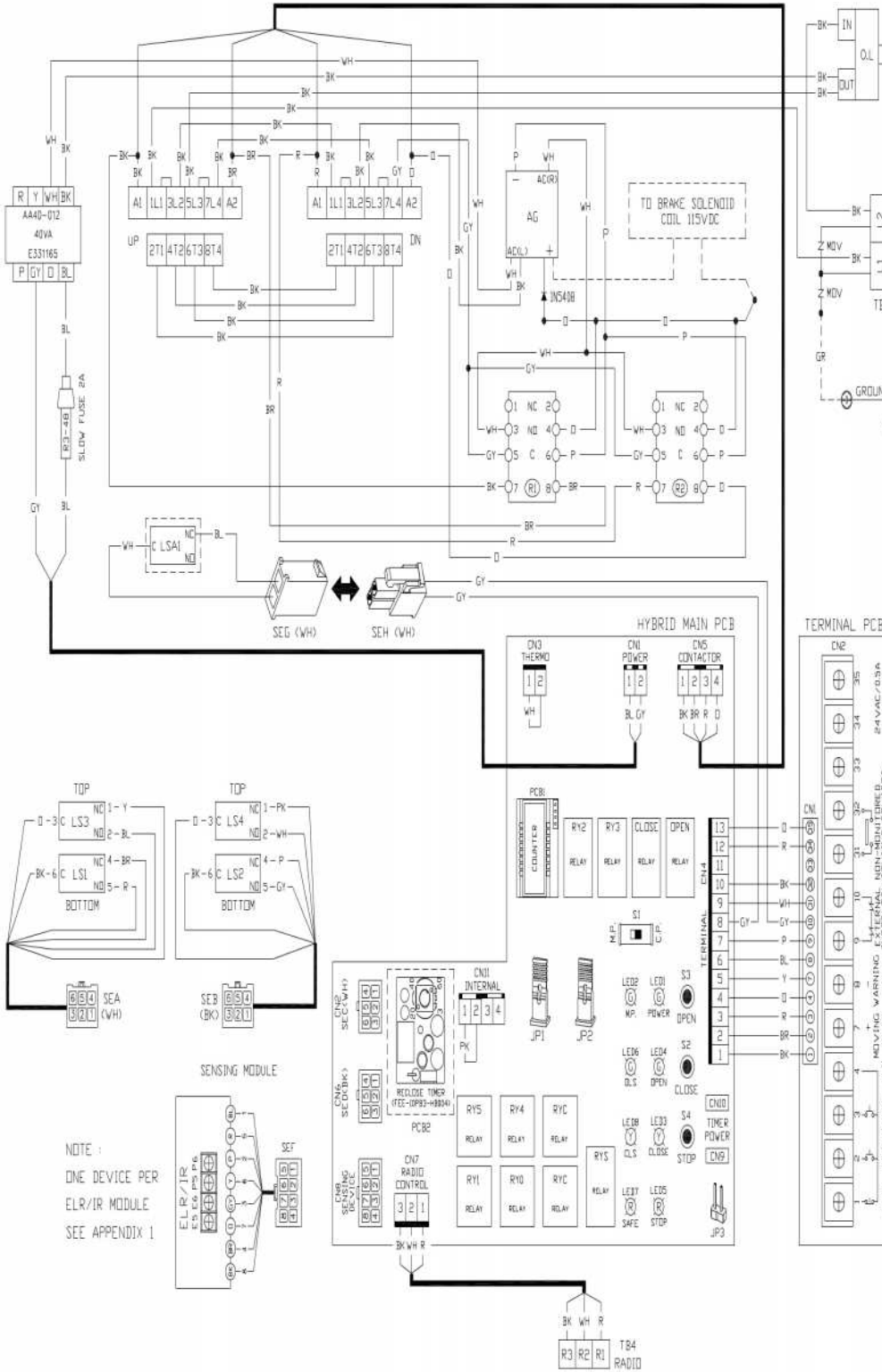
- After installation, be sure that the operator, controls, and sensing edge or other entrapment protection devices have been tested and function properly.

LIGHT INDICATION



FGH 115V 1 PHASE 50/60HZ LH (HYBRID BOARD)
 (FOR FGH 5011E, 7511E, 10011E, 15011E, 20011E)

EE 607EH L
 V1.29



NOTES :

1. R1-OPEN RELAY (COIL 24VAC)
2. R2-CLOSE RELAY (COIL 24VAC)
3. MOV-TNR 14V 471K
4. SEA-LS1 & LS3 MICROSWITCH CONNECTOR
5. SEB-LS2 & LS4 MICROSWITCH CONNECTOR
6. SEC-OPEN CONTROL CONNECTOR
7. SED-CLOSE CONTROL CONNECTOR
8. SEF-SENSING MODULE CONNECTOR
9. LSA1-PLUNGER SWITCH OF FUSIBLE LINK
10. CN9&CN10-JUMP FOR ENABLING RECLOSE TIMER
11. S1-M.P. : MOMENTARY PRESSURE CLOSE
 C.P. : CONSTANT PRESSURE CLOSE.
12. JP1-MOMENTARY PRESSURE OPEN (JUMPED).
 REMOVE JUMPER FOR CONSTANT PRESSURE OPEN.
13. JP2-OPEN AND CLOSE WARNING SIGNAL (JUMPED).
 REMOVE JUMPER FOR CLOSE WARNING SIGNAL ONLY.

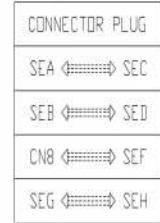
OPTIONAL :

RECLOSE TIMER (PCB2)-TURN KNOB TO ADJUST TIME.

SENSING MODULE TERMINAL : MONITORED

PS&P6 CONNECT TO IR SENSING DEVICE

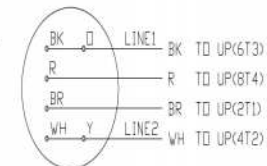
E5&E6 CONNECT TO ELR SENSING DEVICE



TERMINAL PCB - CN2 :

- 1 CONTROL STATION-STOP
- 2 CONTROL STATION-OPEN
- 3 CONTROL STATION-CLOSE
- 4 CONTROL STATION-COMMON
- 7&8 DOOR MOVING WARNING SIGNAL 24VDC
- 9&10 EXTERNAL INTERLOCK
- 31&32 NON-MONITORED SENSING DEVICES (NO DRY CONTACT)
- 34&35 24VAC POWER, MAX 0.5A

115V 1 PHASE
 MOTOR CONNECTION

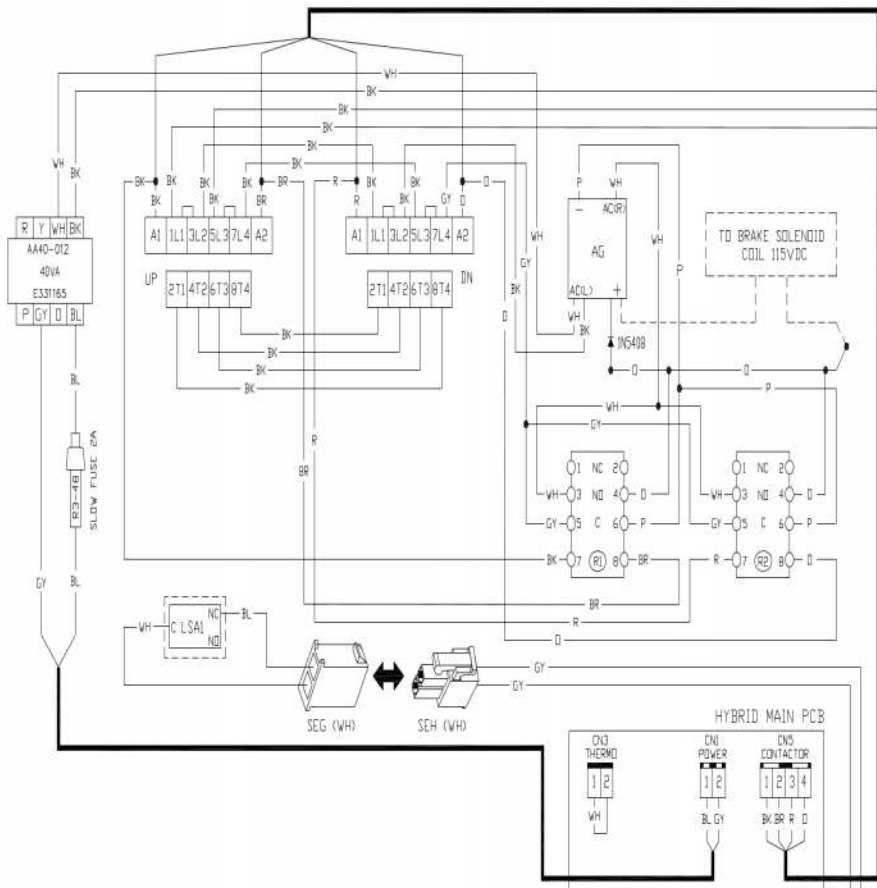


NOTE :
 ONE DEVICE PER
 ELR/IR MODULE
 SEE APPENDIX 1

2016.01.04

FGH 115V 1 PHASE 50/60HZ RH (HYBRID BOARD)
 (FOR FGH 5011E, 7511E, 10011E, 15011E, 20011E)

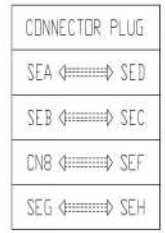
EE 607EH R
 V129



- NOTES :
1. R1-OPEN RELAY (COIL 24VAC)
 2. R2-CLOSE RELAY (COIL 24VAC)
 3. MDV-TNR 14V 471K
 4. SEA-LS1 & LS3 MICROSWITCH CONNECTOR
 5. SEB-LS2 & LS4 MICROSWITCH CONNECTOR
 6. SEC-OPEN CONTROL CONNECTOR
 7. SED-CLOSE CONTROL CONNECTOR
 8. SEF-SENSING MODULE CONNECTOR
 9. LSA1-PLUNGER SWITCH OF FUSIBLE LINK
 10. CN9&CN10-JUMP FOR ENABLING RECLOSE TIMER
 11. S1-M.P. : MOMENTARY PRESSURE CLOSE
 CP : CONSTANT PRESSURE CLOSE
 12. JP1-MOMENTARY PRESSURE OPEN (JUMPED):
 REMOVE JUMPER FOR CONSTANT PRESSURE OPEN.
 13. JP2-OPEN AND CLOSE WARNING SIGNAL (JUMPED):
 REMOVE JUMPER FOR CLOSE WARNING SIGNAL ONLY.

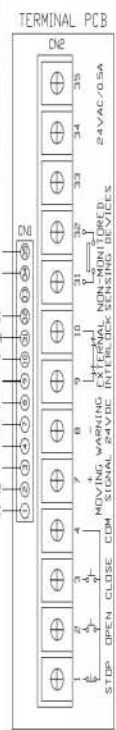
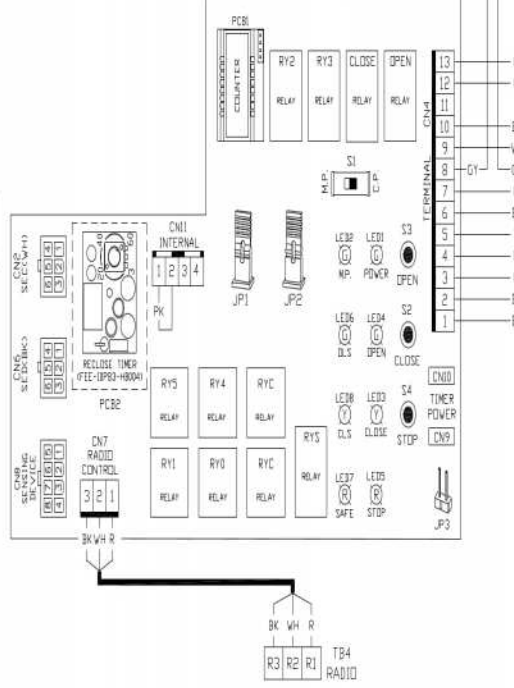
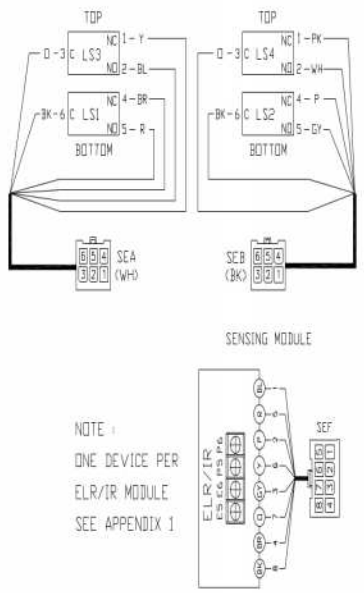
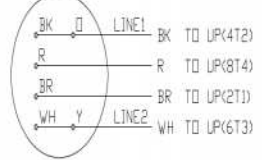
OPTIONAL :
 RECLOSE TIMER (PCB2)-TURN KNOB TO ADJUST TIME.

SENSING MODULE TERMINAL : MONITORED
 PS&P6 CONNECT TO IR SENSING DEVICE
 ES&E6 CONNECT TO ELR SENSING DEVICE



- TERMINAL PCB - CN2 :
- 1 CONTROL STATION-STOP
 - 2 CONTROL STATION-OPEN
 - 3 CONTROL STATION-CLOSE
 - 4 CONTROL STATION-COMMON
 - 7&8 DOOR MOVING WARNING SIGNAL 24VDC
 - 9&10 EXTERNAL INTERLOCK
 - 31&32 NON-MONITORED SENSING DEVICES (NO. DRY CONTACT)
 - 34&35 24VAC POWER, MAX 0.5A

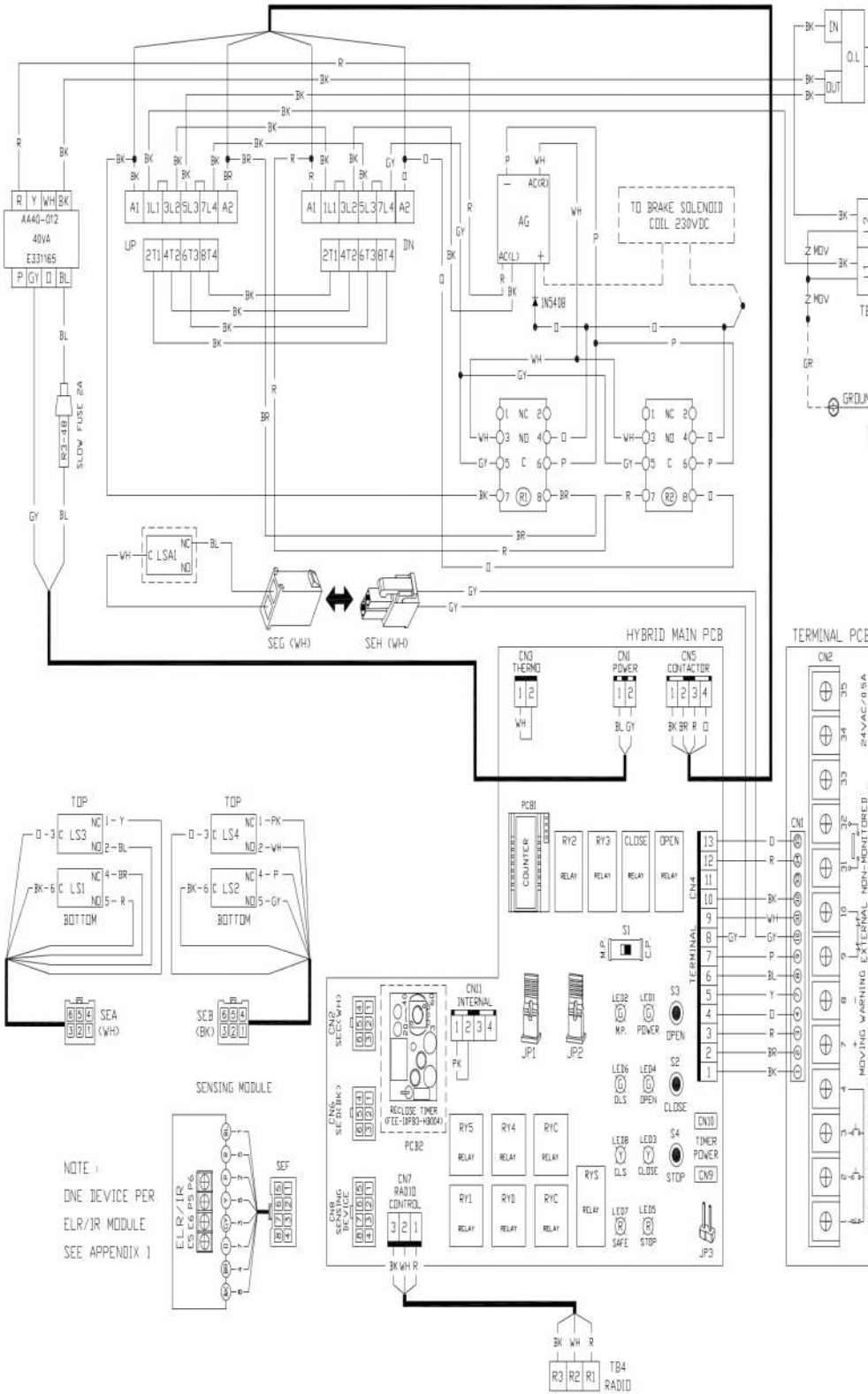
115V 1 PHASE
 MOTOR CONNECTION



2016.01.04

FGH 230V 1 PHASE 50/60HZ LH (HYBRID BOARD)
 (FOR FGH 5021E, 7521E, 10021E, 15021E, 20021E)
 (FOR FGH 5025E, 7525E, 10025E, 15025E, 20025E)

EE 707EH L
 V1.29



- NOTES :
1. R1-OPEN RELAY (COIL 24VAC)
 2. R2-CLOSE RELAY (COIL 24VAC)
 3. MOV-TNR 14V 471K
 4. SEA-LS1 & LS3 MICROSWITCH CONNECTOR.
 5. SEB-LS2 & LS4 MICROSWITCH CONNECTOR
 6. SEC-OPEN CONTROL CONNECTOR
 7. SED-CLOSE CONTROL CONNECTOR
 8. SEF-SENSING MODULE CONNECTOR
 9. LSA1-PLUNGER SWITCH OF FUSIBLE LINK
 10. CN9&CN10-JUMP FOR ENABLING RECLOSE TIMER
 11. S1-M.P. : MOMENTARY PRESSURE CLOSE
 C.P. : CONSTANT PRESSURE CLOSE.
 12. JP1-MOMENTARY PRESSURE (OPEN (JUMPED)).
 REMOVE JUMPER FOR CONSTANT PRESSURE OPEN.
 13. JP2-OPEN AND CLOSE WARNING SIGNAL (JUMPED).
 REMOVE JUMPER FOR CLOSE WARNING SIGNAL ONLY.

OPTIONAL :

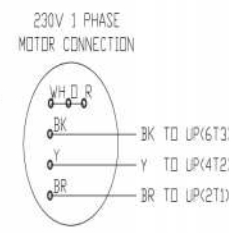
RECLOSE TIMER (PCB2)-TURN KNOB TO ADJUST TIME.

SENSING MODULE TERMINAL : MONITORED
 P5&P6 CONNECT TO IR SENSING DEVICE
 E5&E6 CONNECT TO ELR SENSING DEVICE

CONNECTOR PLUG

SEA	↔	SEC
SEB	↔	SED
CN8	↔	SEF
SEC	↔	SEH

- TERMINAL PCB - CN2 :
- 1 CONTROL STATION-STOP
 - 2 CONTROL STATION-OPEN
 - 3 CONTROL STATION-CLOSE
 - 4 CONTROL STATION-COMMON
 - 7&8 00DR MOVING WARNING SIGNAL 24VDC
 - 9&10 EXTERNAL INTERLOCK
 - 31&32 NON-MONITORED SENSING DEVICES (N.O. DRY CONTACT)
 - 34&35 24VAC POWER, MAX 0.5A



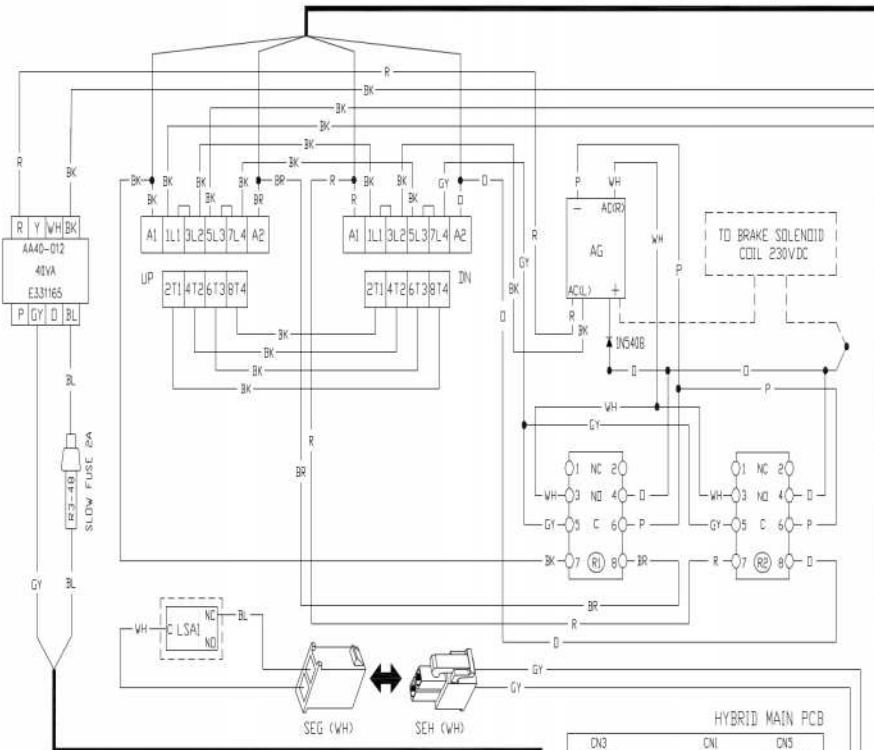
NOTE :

DNE DEVICE PER ELR/IR MODULE
 SEE APPENDIX 1

2016.01.04

FGH 230V 1 PHASE 50/60HZ RH (HYBRID BOARD)
 (FOR FGH 5021E, 7521E, 10021E, 15021E, 20021E)
 (FOR FGH 5025E, 7525E, 10025E, 15025E, 20025E)

EE 707EH R
 V1.29



NOTES :

1. R1-OPEN RELAY (COIL 24VAC)
2. R2-CLOSE RELAY (COIL 24VAC)
3. MOV-TNR 14V 471K
4. SEA-LS1 & LS3 MICROSWITCH CONNECTOR
5. SEB-LS2 & LS4 MICROSWITCH CONNECTOR
6. SEC-OPEN CONTROL CONNECTOR
7. SEC-CLOSE CONTROL CONNECTOR
8. SEF-SENSING MODULE CONNECTOR
9. LSA1-PLUNGER SWITCH OF FUSIBLE LINK
10. CN9&CN10-JUMP FOR ENABLING RECLOSE TIMER
11. SI-M.P. : MOMENTARY PRESSURE CLOSE
 C.P. : CONSTANT PRESSURE CLOSE.
12. JP1-MOMENTARY PRESSURE OPEN (JUMPED).
 REMOVE JUMPER FOR CONSTANT PRESSURE OPEN.
13. JP2-OPEN AND CLOSE WARNING SIGNAL (JUMPED).
 REMOVE JUMPER FOR CLOSE WARNING SIGNAL ONLY.

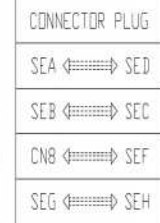
OPTIONAL :

RECLOSE TIMER (PCB2)-TURN KNOB TO ADJUST TIME.

SENSING MODULE TERMINAL : MONITORED

P5&P6 CONNECT TO IR SENSING DEVICE

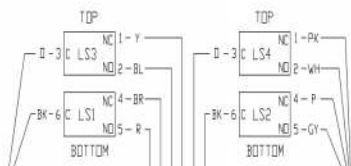
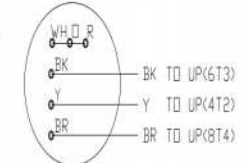
E5&E6 CONNECT TO ELR SENSING DEVICE



TERMINAL PCB - CN2 :

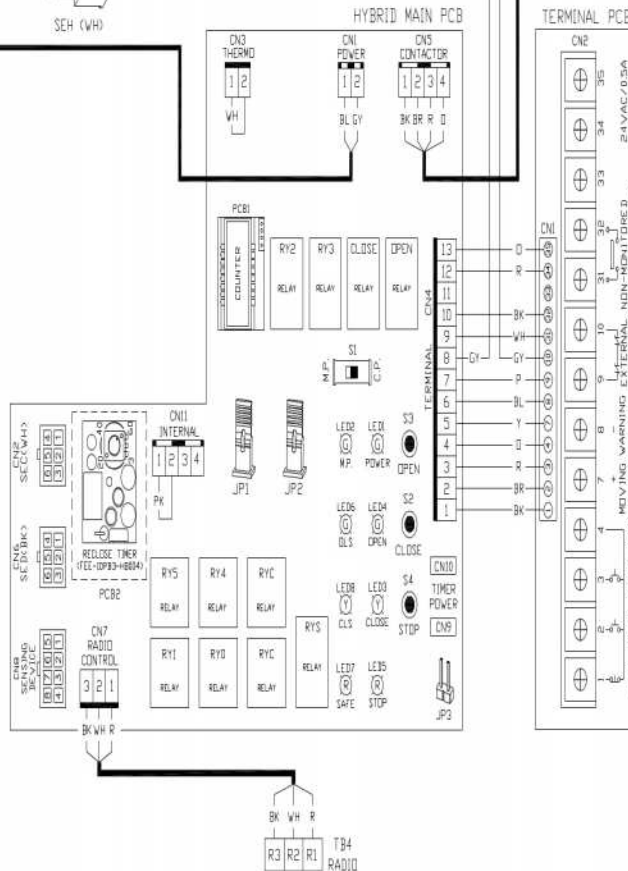
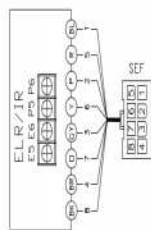
- 1 CONTROL STATION-STOP
- 2 CONTROL STATION-OPEN
- 3 CONTROL STATION-CLOSE
- 4 CONTROL STATION-COMMON
- 7&8 DOOR MOVING WARNING SIGNAL 24VDC
- 9&10 EXTERNAL INTERLOCK
- 31&32 NON-MONITORED SENSING DEVICES (N.D. DRY CONTACT)
- 34&35 24VAC POWER, MAX 0.5A

230V 1 PHASE
 MOTOR CONNECTION



SENSING MODULE

NOTE :
 ONE DEVICE PER
 ELR/IR MODULE
 SEE APPENDIX 1



FGH 208V/230V 3 PHASE 50/60HZ LH (HYBRID BOARD)
 (FOR FGH 5023E, 7523E, 10023E, 15023E, 20023E)

EE 807EH L
 V1.29-CON

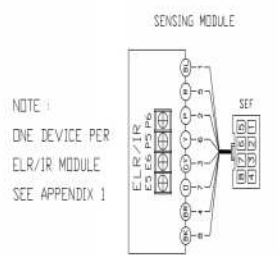
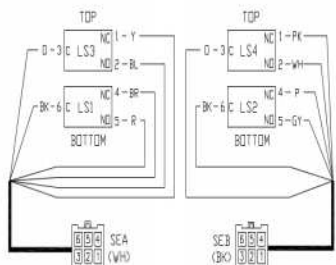
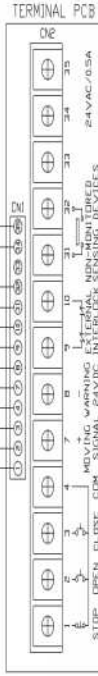
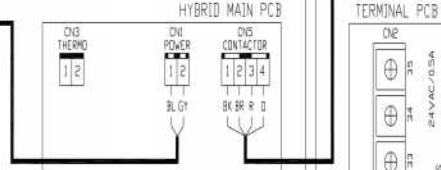
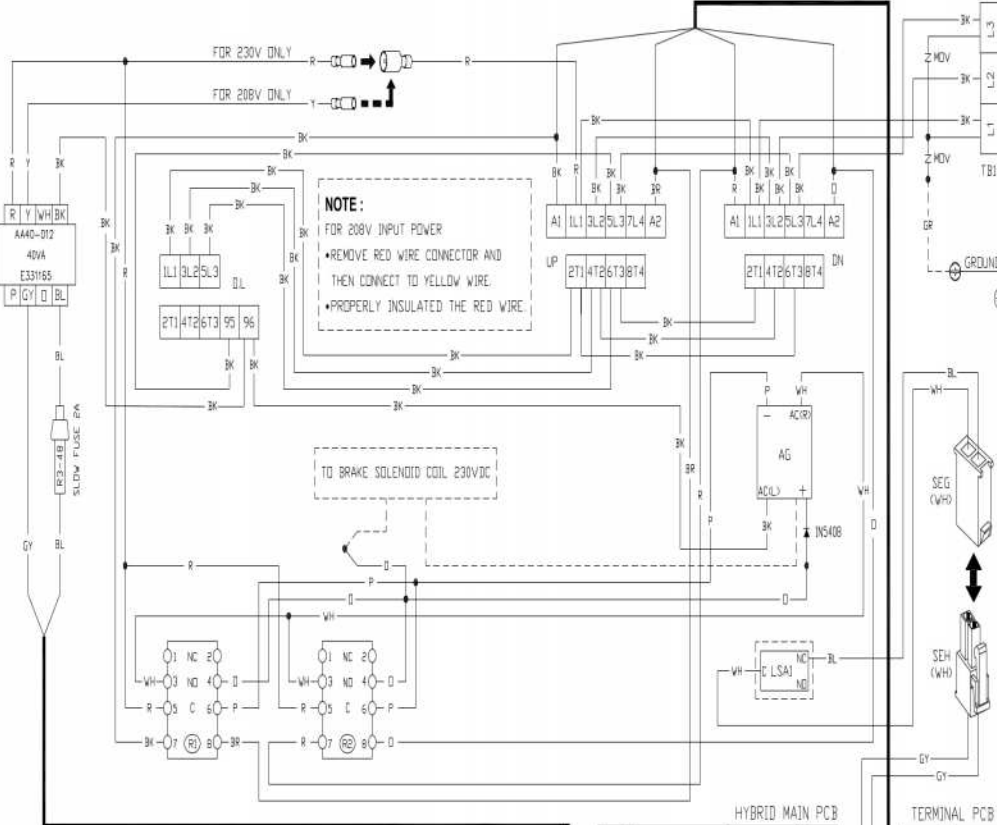
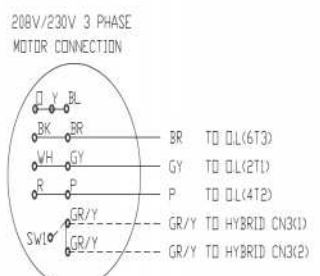
- NOTES:
- R1-OPEN RELAY (COIL 24VAC)
 - R2-CLOSE RELAY (COIL 24VAC)
 - MOV-TNR 14V 471K
 - SEA-LS1 & LS3 MICROSWITCH CONNECTOR
 - SEB-LS2 & LS4 MICROSWITCH CONNECTOR
 - SEC-OPEN CONTROL CONNECTOR
 - SED-CLOSE CONTROL CONNECTOR
 - SEF-SENSING MODULE CONNECTOR
 - LSA1-PLUNGER SWITCH OF FUSIBLE LINK
 - CN9&CN10-JUMP FOR ENABLING RECLOSE TIMER
 - S1-M.P. : MOMENTARY PRESSURE CLOSE
 C.P. : CONSTANT PRESSURE CLOSE
 - JP1-MOMENTARY PRESSURE OPEN (JUMPED).
 REMOVE JUMPER FOR CONSTANT PRESSURE OPEN.
 - JP2-OPEN AND CLOSE WARNING SIGNAL (JUMPED).
 REMOVE JUMPER FOR CLOSE WARNING SIGNAL ONLY.

- OPTIONAL:
- RECLOSE TIMER (PCB2)-TURN KNOB TO ADJUST TIME
- SENSING MODULE TERMINAL: MONITORED
- P5&P6 CONNECT TO IR SENSING DEVICE
 - E5&E6 CONNECT TO ELR SENSING DEVICE

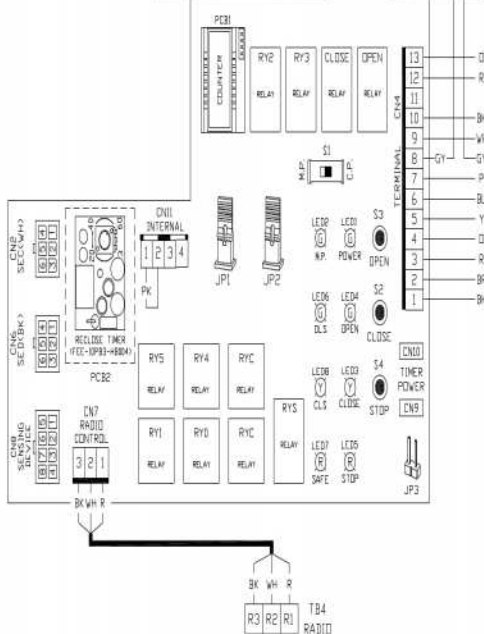
CONNECTOR PLUG

SEA	⇔	SEC
SEB	⇔	SED
CNB	⇔	SEF
SEG	⇔	SEH

- TERMINAL PCB - CN2
- CONTROL STATION-STOP
 - CONTROL STATION-OPEN
 - CONTROL STATION-CLOSE
 - CONTROL STATION-COMMON
 - 7&8 DOOR MOVING WARNING SIGNAL 24VDC
 - 9&10 EXTERNAL INTERLOCK
 - 31&32 NON-MONITORED SENSING DEVICES (N.D. DRY CONTACT)
 - 34&35 24VAC POWER, MAX 0.5A

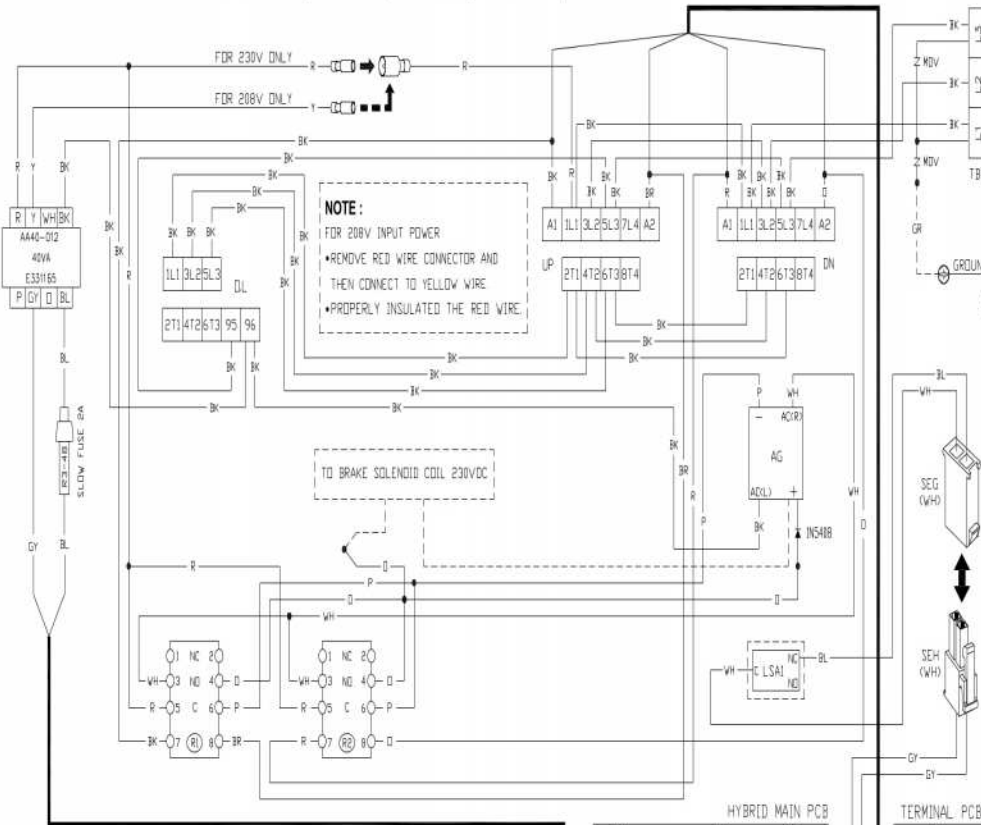


NOTE: ONE DEVICE PER ELR/IR MODULE SEE APPENDIX 1



FGH 208V/230V 3 PHASE 50/60HZ RH (HYBRID BOARD)
 (FOR FGH 5023E, 7523E, 10023E, 15023E, 20023E)

EE 807EH R
 V1.29-CON

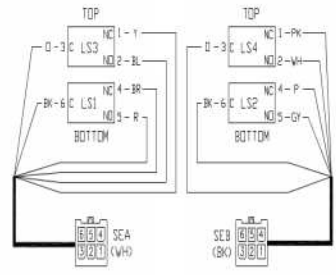
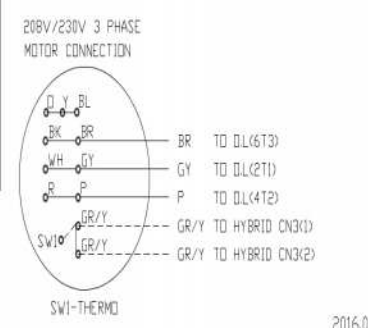


- NOTES :
- R1-OPEN RELAY (COIL 24VAC)
 - R2-CLOSE RELAY (COIL 24VAC)
 - MOV-TNR 14V 471K
 - SEA-LS1 & LS3 MICROSWITCH CONNECTOR
 - SEB-LS2 & LS4 MICROSWITCH CONNECTOR
 - SEC-OPEN CONTROL CONNECTOR
 - SED-CLOSE CONTROL CONNECTOR
 - SEF-SENSING MODULE CONNECTOR
 - LSA1-PLUNGER SWITCH OF FUSIBLE LINK
 - CN9&CN10-JUMP FOR ENABLING RECLOSE TIMER
 - S1-MP : MOMENTARY PRESSURE CLOSE
 C.P. : CONSTANT PRESSURE CLOSE.
 - JP1-MOMENTARY PRESSURE OPEN (JUMPED).
 REMOVE JUMPER FOR CONSTANT PRESSURE OPEN.
 - JP2-OPEN AND CLOSE WARNING SIGNAL (JUMPED).
 REMOVE JUMPER FOR CLOSE WARNING SIGNAL ONLY.
- OPTIONAL :
- RECLOSE TIMER (PCB2)-TURN KNOB TO ADJUST TIME
- SENSING MODULE TERMINAL : MONITORED
 P5&P6 CONNECT TO IR SENSING DEVICE
 E5&E6 CONNECT TO ELR SENSING DEVICE

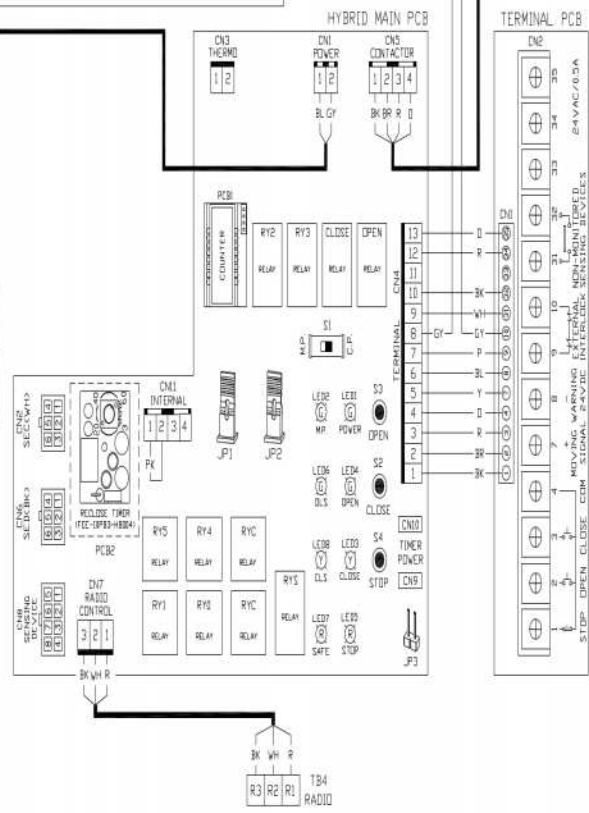
CONNECTOR PLUG

SEA	SEB
SEB	SEC
CNB	SEF
SEG	SEH

- TERMINAL PCB - CN2 :
- CONTROL STATION-STOP
 - CONTROL STATION-OPEN
 - CONTROL STATION-CLOSE
 - CONTROL STATION-COMMON
 - 7&8 DOOR MOVING WARNING SIGNAL 24VDC
 - 9&10 EXTERNAL INTERLOCK
 - 31&32 NON-MONITORED SENSING DEVICES (N.O. DRY CONTACT)
 - 34&35 24VAC POWER, MAX 0.5A



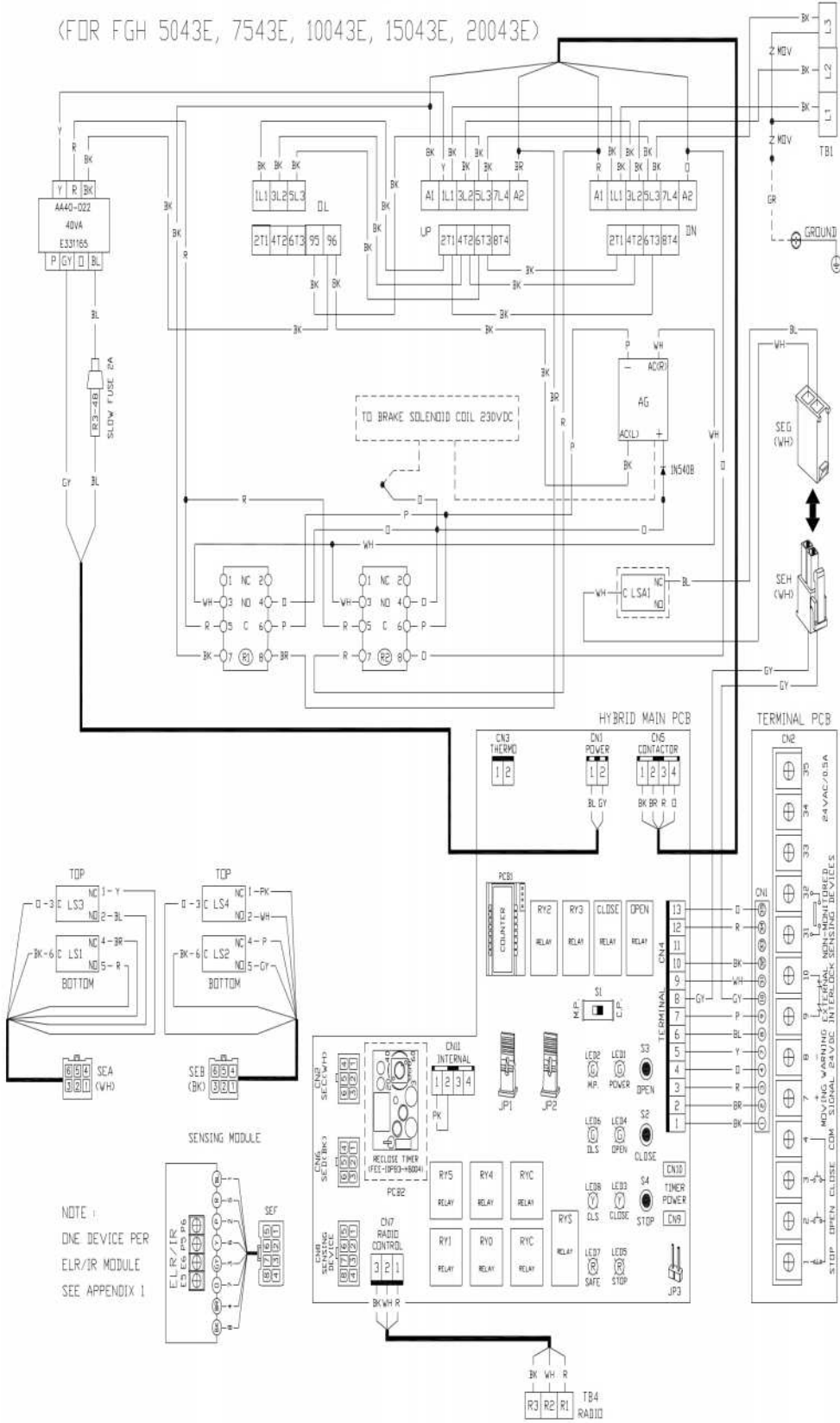
NOTE :
 ONE DEVICE PER
 ELR/IR MODULE
 SEE APPENDIX 1



2016.01.04

FGH 460V 3 PHASE 50/60HZ LH (HYBRID BOARD)
 (FOR FGH 5043E, 7543E, 10043E, 15043E, 20043E)

EE 907EH L
 V1.29



NOTES :

1. R1-OPEN RELAY (COIL 24VAC)
2. R2-CLOSE RELAY (COIL 24VAC)
3. MOV-TMR 14V 102K OR 15G 102K
4. SEA-LS1 & LS3 MICROSWITCH CONNECTOR
5. SEB-LS2 & LS4 MICROSWITCH CONNECTOR
6. SEC-OPEN CONTROL CONNECTOR
7. SEC-CLOSE CONTROL CONNECTOR
8. SEF-SENSING MODULE CONNECTOR
9. LSA1-PLUNGER SWITCH OF FUSIBLE LINK
10. CN9&CN10-JUMP FOR ENABLING RECLOSE TIMER
11. SI-M.P. : MOMENTARY PRESSURE CLOSE
 C.P. : CONSTANT PRESSURE CLOSE.
12. JP1-MOMENTARY PRESSURE OPEN (JUMPED).
 REMOVE JUMPER FOR CONSTANT PRESSURE OPEN.
13. JP2-OPEN AND CLOSE WARNING SIGNAL (JUMPED).
 REMOVE JUMPER FOR CLOSE WARNING SIGNAL ONLY.

OPTIONAL :

RECLOSE TIMER (PCB2)-TURN KNOB TO ADJUST TIME.

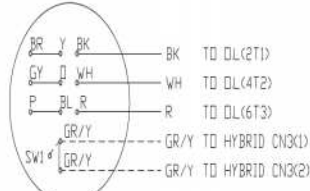
SENSING MODULE TERMINAL : MONITORED
 P5&P6 CONNECT TO IR SENSING DEVICE
 E5&E6 CONNECT TO ELR SENSING DEVICE

CONNECTOR PLUG	
SEA ↔↔↔↔↔↔↔↔↔↔	SEC
SEB ↔↔↔↔↔↔↔↔↔↔	SED
CN8 ↔↔↔↔↔↔↔↔↔↔	SEF
SEG ↔↔↔↔↔↔↔↔↔↔	SEH

TERMINAL PCB - CN2 :

- 1 CONTROL STATION-STOP
- 2 CONTROL STATION-OPEN
- 3 CONTROL STATION-CLOSE
- 4 CONTROL STATION-COMMON
- 7&8 DOOR MOVING WARNING SIGNAL 24VDC
- 9&10 EXTERNAL INTERLOCK
- 31&32 NON-MONITORED SENSING DEVICES (NO. DRY CONTACT)
- 34&35 24VAC POWER, MAX 0.5A

460V 3 PHASE
 MOTOR CONNECTION



NOTE :
 ONE DEVICE PER
 ELR/IR MODULE
 SEE APPENDIX I

FGH 460V 3 PHASE 50/60HZ RH (HYBRID BOARD)
 (FOR FGH 5043E, 7543E, 10043E, 15043E, 20043E)

EE 907EH R
 V1.29

NOTES :

1. R1-OPEN RELAY (COIL 24VAC)
2. R2-CLOSE RELAY (COIL 24VAC)
3. MOV-TMR 14V 102K OR 15G 102K
4. SEA-LS1 & LS3 MICROSWITCH CONNECTOR
5. SEB-LS2 & LS4 MICROSWITCH CONNECTOR
6. SEC-OPEN CONTROL CONNECTOR
7. SEC-CLOSE CONTROL CONNECTOR
8. SEF-SENSING MODULE CONNECTOR
9. LSA1-PLUNGER SWITCH OF FUSIBLE LINK
10. CN9CN10-JUMP FOR ENABLING RECLOSE TIMER
11. S1-M.P. : MOMENTARY PRESSURE CLOSE
 C.P. : CONSTANT PRESSURE CLOSE.
12. J.P1-MOMENTARY PRESSURE OPEN (JUMPED).
 REMOVE JUMPER FOR CONSTANT PRESSURE OPEN.
13. J.P2-OPEN AND CLOSE WARNING SIGNAL (JUMPED).
 REMOVE JUMPER FOR CLOSE WARNING SIGNAL ONLY.

OPTIONAL :

RECLOSE TIMER (PCB2)-TURN KNOB TO ADJUST TIME.

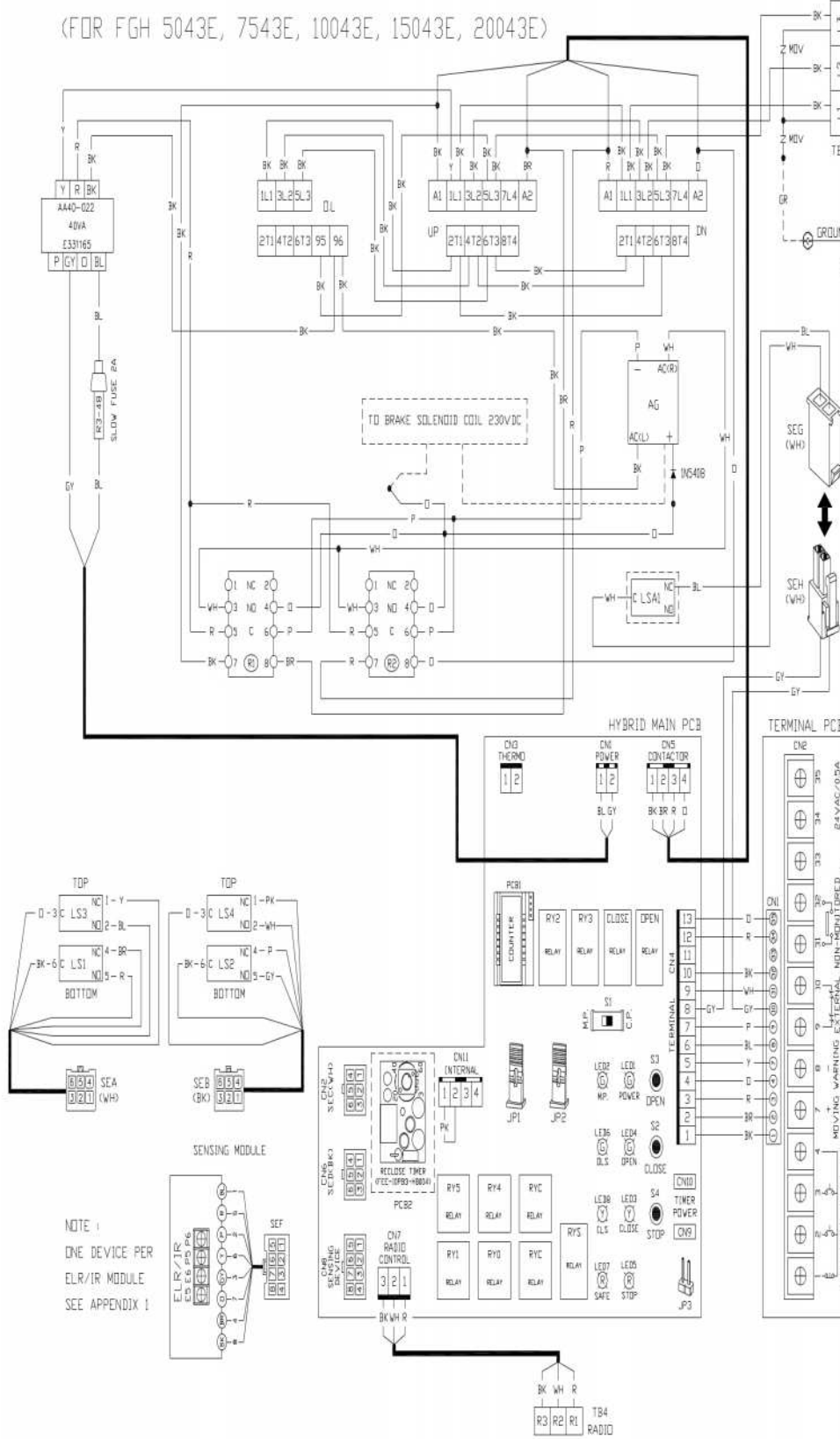
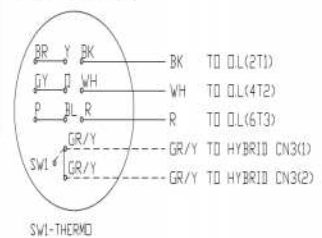
SENSING MODULE TERMINAL : MONITORED
 P5&P6 CONNECT TO IR SENSING DEVICE
 E5&E6 CONNECT TO ELR SENSING DEVICE

CONNECTOR PLUG	
SEA	SEB
SEB	SEC
CN8	SEF
SEG	SEH

TERMINAL PCB - CN2 :

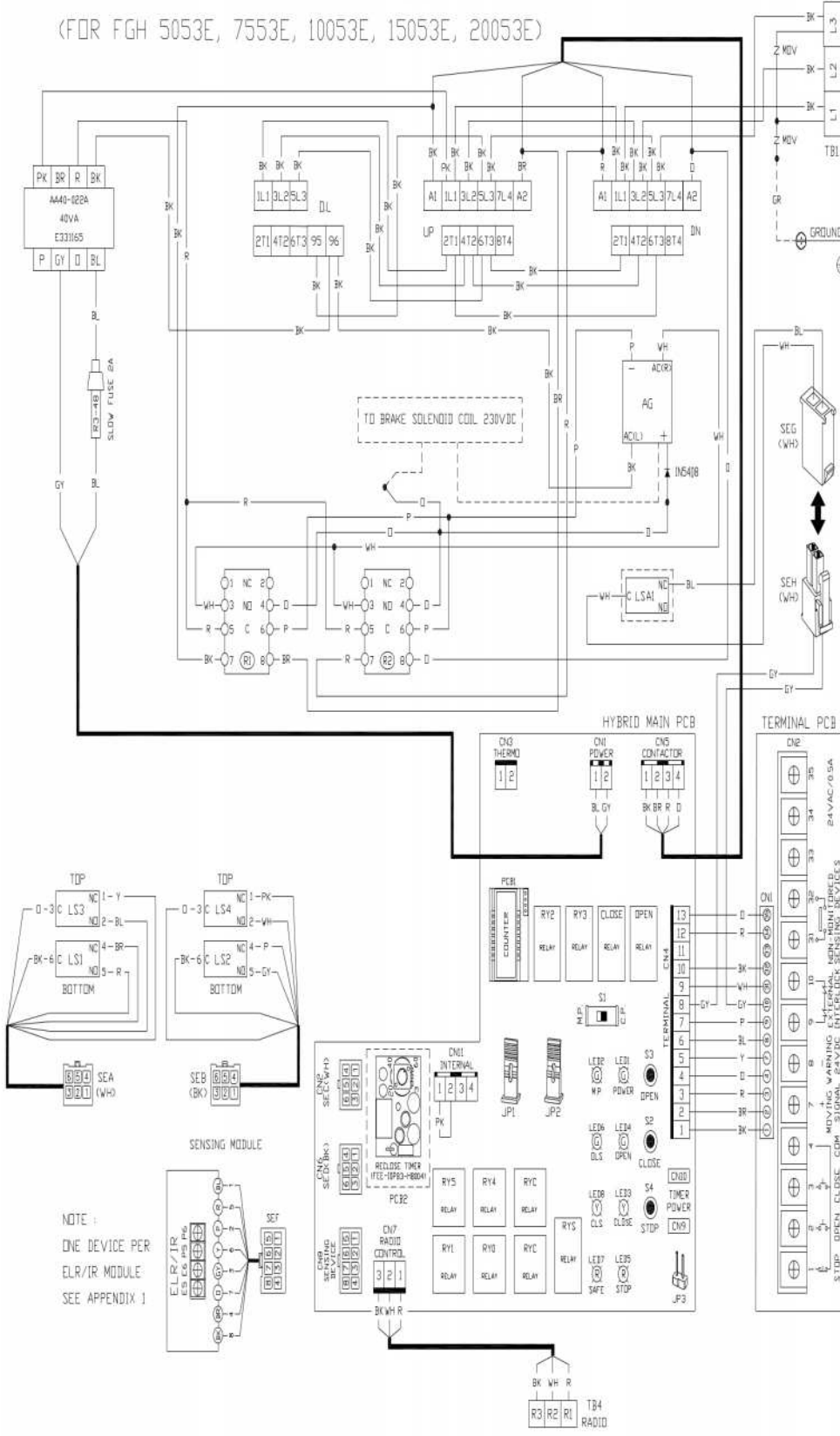
- 1 CONTROL STATION-STOP
- 2 CONTROL STATION-OPEN
- 3 CONTROL STATION-CLOSE
- 4 CONTROL STATION-COMMON
- 7&8 00DR MOVING WARNING SIGNAL 24VDC
- 9&10 EXTERNAL INTERLOCK
- 31&32 NON-MONITORED SENSING DEVICES (NO DRY CONTACT)
- 34&35 24VAC POWER, MAX 0.5A

460V 3 PHASE
 MOTOR CONNECTION



NOTE :
 ONE DEVICE PER
 ELR/IR MODULE
 SEE APPENDIX 1

FGH 575V 3 PHASE 60HZ LH (HYBRID BOARD)
 (FOR FGH 5053E, 7553E, 10053E, 15053E, 20053E)



EE 507EH L
V1.29

NOTES :

1. R1-OPEN RELAY (COIL 24VAC)
2. R2-CLOSE RELAY (COIL 24VAC)
3. MOV-TNR 14V 122K DR 15G 122K
4. SEA-LS1 & LS3 MICROSWITCH CONNECTOR
5. SEB-LS2 & LS4 MICROSWITCH CONNECTOR
6. SEC-DPENE CONTROL CONNECTOR
7. SED-CLOSE CONTROL CONNECTOR
8. SEF-SENSING MODULE CONNECTOR
9. LSA1-PLUNGER SWITCH DF FUSTIBLE LINK
10. CN9&CN10-JUMP FOR ENABLING RECLOSE TIMER
11. S1-M.P. : MOMENTARY PRESSURE CLOSE
C.P. : CONSTANT PRESSURE CLOSE.
12. JP1-MOMENTARY PRESSURE OPEN (JUMPED)
REMOVE JUMPER FOR CONSTANT PRESSURE OPEN.
13. JP2-OPEN AND CLOSE WARNING SIGNAL (JUMPED).
REMOVE JUMPER FOR CLOSE WARNING SIGNAL ONLY.

OPTIONAL :

RECLOSE TIMER (PCB2)-TURN KNOB TO ADJUST TIME.

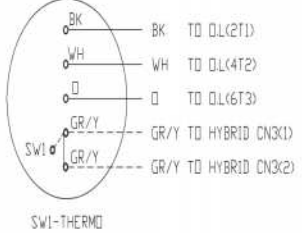
SENSING MODULE TERMINAL : MONITORED
 P5&P6 CONNECT TO IR SENSING DEVICE
 E5&E6 CONNECT TO ELR SENSING DEVICE

CONNECTOR PLUG	
SEA	⇔ SEC
SEB	⇔ SED
CNB	⇔ SEF
SEG	⇔ SEH

TERMINAL PCB - CN2 :

- 1 CONTROL STATION-STOP
- 2 CONTROL STATION-OPEN
- 3 CONTROL STATION-CLOSE
- 4 CONTROL STATION-COMMON
- 7&8 DOOR MOVING WARNING SIGNAL 24VDC
- 9&10 EXTERNAL INTERLOCK
- 31&32 NON-MONITORED SENSING DEVICES (NO DRY CONTACT)
- 34&35 24VAC POWER, MAX 0.5A

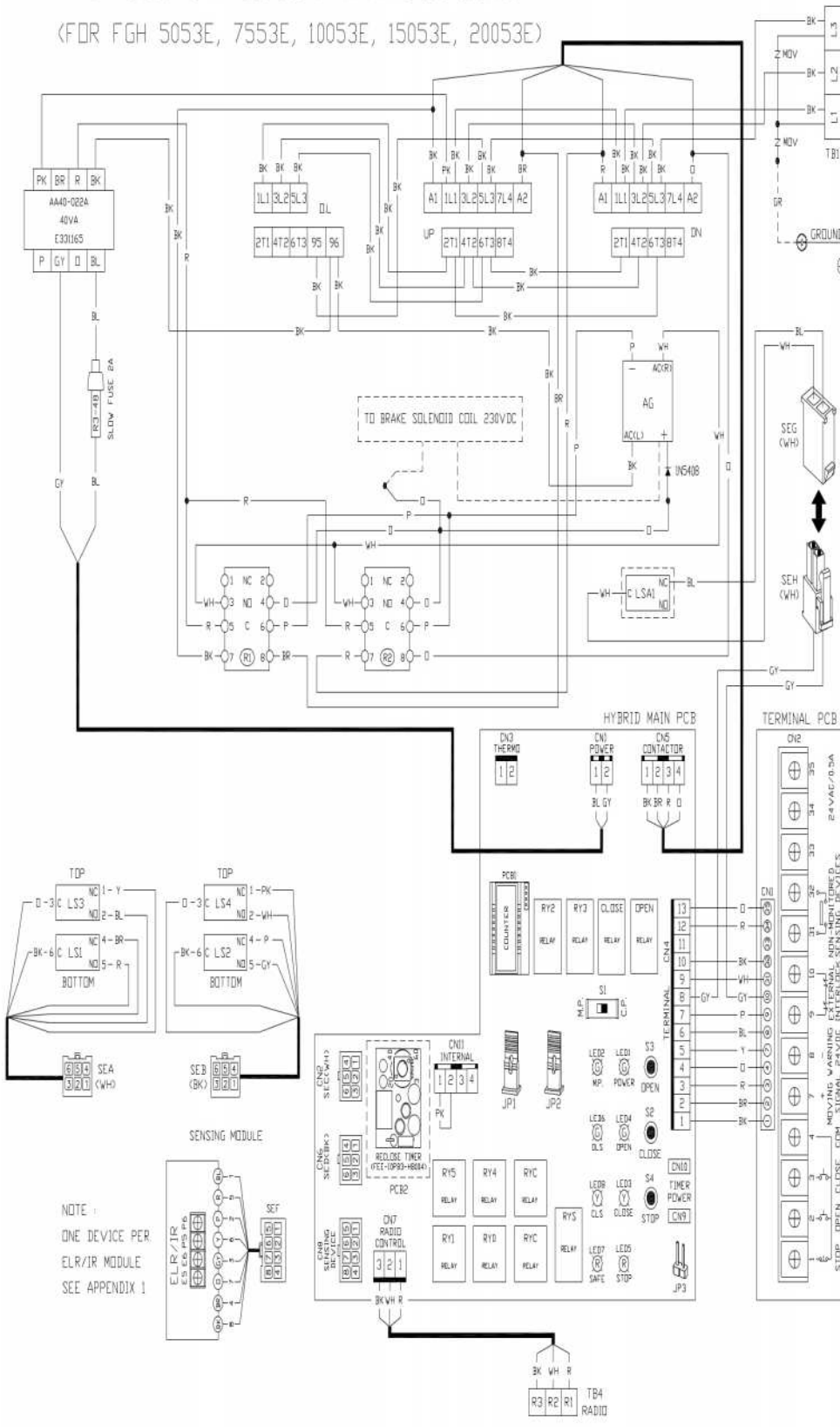
575V 3 PHASE
MOTOR CONNECTION



SW1-THERMO

FGH 575V 3 PHASE 60HZ RH (HYBRID BOARD)
 (FOR FGH 5053E, 7553E, 10053E, 15053E, 20053E)

EE 507EH R
 V1.29



- NOTES :
1. R1-OPEN RELAY (COIL 24VAC)
 2. R2-CLOSE RELAY (COIL 24VAC)
 3. MOV-TNR 14V 122K DR 15G 122K
 4. SEA-LS1 & LS3 MICROSWITCH CONNECTOR
 5. SEB-LS2 & LS4 MICROSWITCH CONNECTOR
 6. SEC-OPEN CONTROL CONNECTOR
 7. SED-CLOSE CONTROL CONNECTOR
 8. SEF-SENSING MODULE CONNECTOR
 9. LSA1-PLUNGER SWITCH OF FUSIBLE LINK
 10. CN9&CN8-JUMP FOR ENABLING RECLOSE TIMER
 11. SI-M.P. : MOMENTARY PRESSURE CLOSE
 C.P. : CONSTANT PRESSURE CLOSE.
 12. JP1-MOMENTARY PRESSURE OPEN (JUMPED).
 REMOVE JUMPER FOR CONSTANT PRESSURE OPEN.
 13. JP2-OPEN AND CLOSE WARNING SIGNAL (JUMPED).
 REMOVE JUMPER FOR CLOSE WARNING SIGNAL ONLY.

OPTIONAL :

RECLOSE TIMER (PCB2)-TURN KNOB TO ADJUST TIME

SENSING MODULE TERMINAL : MONITORED
 P5&P6 CONNECT TO IR SENSING DEVICE
 E5&E6 CONNECT TO ELR SENSING DEVICE

CONNECTOR PLUG

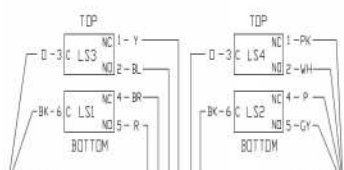
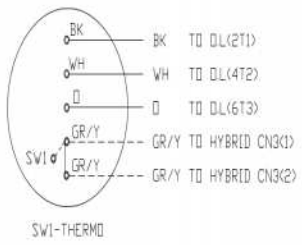
SEA	↔	SED
SEB	↔	SEC
CN8	↔	SEF
SEG	↔	SEH

TERMINAL PCB - CN2 :

- 1 CONTROL STATION-STOP
- 2 CONTROL STATION-OPEN
- 3 CONTROL STATION-CLOSE
- 4 CONTROL STATION-COMMON

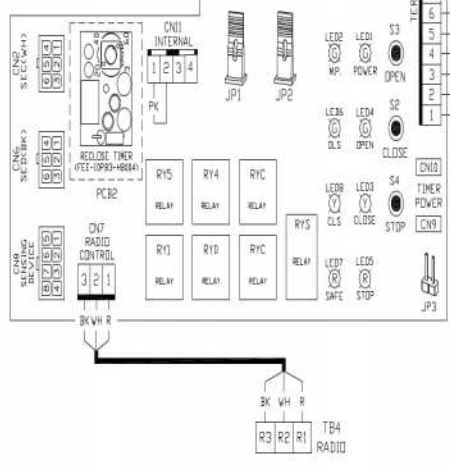
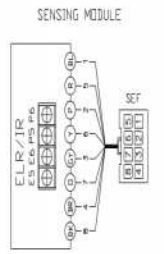
7&8 DOOR MOVING WARNING SIGNAL 24VDC
 9&10 EXTERNAL INTERLOCK
 31&32 NON-MONITORED SENSING DEVICES (N.O. DRY CONTACT)
 34&35 24VAC POWER, MAX 0.5A

575V 3 PHASE
 MOTOR CONNECTION



NOTE :

ONE DEVICE PER
 ELR/IR MODULE
 SEE APPENDIX 1



Reference

FGH series terminal connections

1	2	3	4	7	8	9	10	31	32	33	34	35
Control Station				+	-	External Interlock		Non Monitored Sensing Devices (N.O. Dry Contact)			24VAC, 0.5A max.	
Stop	Open	Close	Com	Door moving warning signal 24VDC		Jump when no external interlock is connected.						

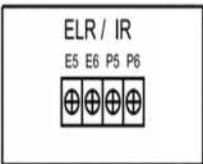
- ❖ A one-second delay on reverse is standard.
- ❖ When the door is closing, pushing the “Open” or “Stop” button will stop the door from moving.
- ❖ When the door is closing, the radio control transmitter can stop and reverse the door at anytime.
- ❖ All control functions are disabled during automatic closing.

* Jump Pin Connections (Hybrid Main Board)

JP1	Factory Default:	Momentary pressure open (Jumped). Remove jumper for constant pressure open.
JP2	Factory Default:	Open and close warning signal (Jumped). Remove jumper for close warning signal only.

Monitored Sensing Device connection

(Only 1 monitored device can be connected to a single sensing module)

	E5 & E6 – Connect 2-wire terminated sensing edge (ELR device)
	P5 & P6 – Connect emitter/receiver photo eye or optical sensing edge (IR device)

Control and Accessory connections

Refer to appendix illustrations for connection of:

- ❖ Multiple device adapter for secondary monitored sensing device
- ❖ Reclose timer module
- ❖ Single and multiple control stations
- ❖ External Timer defeat Switch
- ❖ Wiring change from 230V to 208V 3 phase operator

IMPORTANT SAFETY INSTRUCTIONS

WARNING –To reduce the risk of death or serious injury:

1. READ AND FOLLOW ALL INSTRUCTIONS.
2. Never let children operate or play with door controls. Keep the remote control (when provided) away from children.
3. Personnel should keep away from a door in motion and keep the moving door in sight until it is completely closed or opened. NO ONE SHOULD CROSS THE PATH OF A MOVING DOOR.



Fire doors could close rapidly at any time and cause death or serious injury.

WARNING

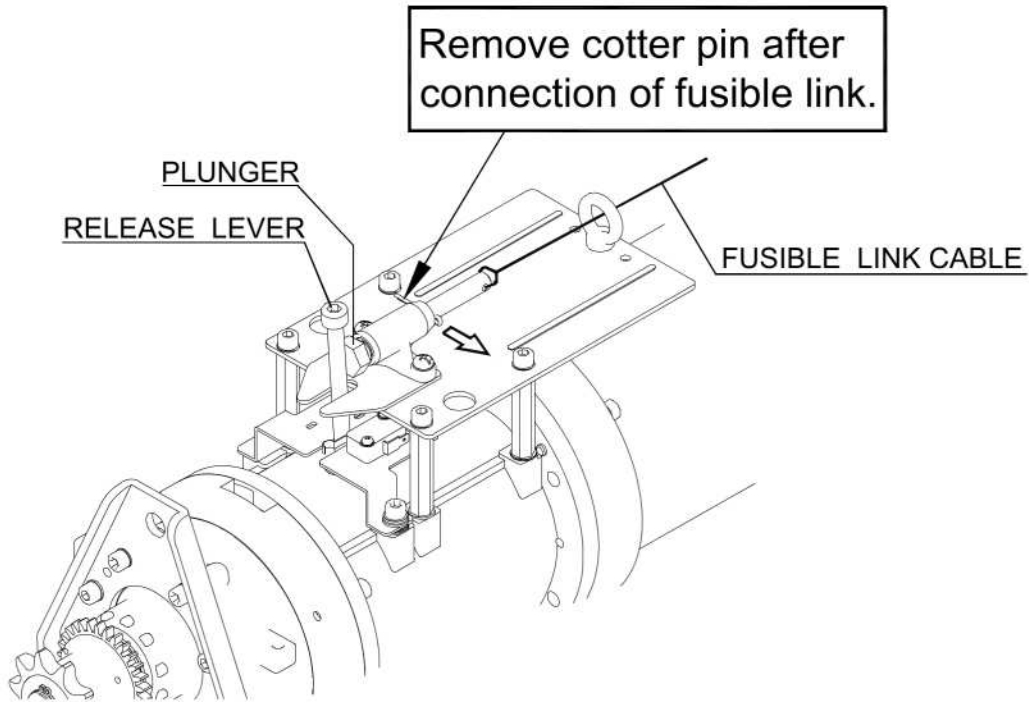
Do NOT stand in the doorway.

4. Test sensing devices at least once a month. Also test sensing devices after making any adjustments to the close limit. Failure to adjust the operator properly may cause death or serious injury.
5. For operators having an auxiliary release, use caution when using the release if the door is open. Weak or broken springs may cause the door to fall rapidly, causing death or serious injury.
6. KEEP DOORS PROPERLY OPERATING AND BALANCED. See door manufacturer's Operation and Maintenance Instructions. An improperly operating or unbalanced door could cause death or serious injury. Have trained door systems technicians make all necessary adjustments and repairs.
7. **SAVE THESE INSTRUCTIONS.**

FUSIBLE LINK CONNECTIONS

- ❖ **REMOVE COTTER PIN FROM RELEASE ASSEMBLY AFTER INSTALLATION IS COMPLETE.**

Refer to the fire door installation instructions for connection of the release assembly or consult NFPA-80 and the authority having jurisdiction for fusible link location(s) and method.



* Illustration only, not drawn to scale. See product for actual details.

OPERATING INSTRUCTIONS

1. If a 3-button control station is used to operate the door, push the “OPEN” button to open the door, push the “CLOSE” button to close the door, push the “STOP” button to stop movement of the door while opening or closing. With constant pressure close operation, removing pressure from the “CLOSE” button will also cause the door to stop.
2. If a key switch control station is used to operate the door, turn the key to the “OPEN” position to open the door, turn the key to the “CLOSE” position to close the door, push the “STOP” button to stop movement of the door while opening or closing. With constant pressure close operation, removing pressure from the “CLOSE” key position will cause the door to stop.
3. Door may also be operated by remote devices.

IMPORTANT NOTE: If one or more monitored sensing devices are installed, and determined by the operator to be not functioning properly, the door will either stay open, or re-open if closing. If this occurs, contact a trained door systems technician to make repairs. Until repairs can be made, the door can be opened and closed from the 3-button or key switch control station, but will require constant pressure on the close control to close the door.

EMERGENCY MANUAL OPERATION

This operator has provisions for manually operating the door in case of emergency or power failure. This operator is equipped with an auxiliary chain hoist.

To operate the auxiliary chain hoist:

1. Remove the hand chain from the chain bag.
 2. Pull the hand chain to operate the door in the desired direction. (No clutch to engage)
- Put the hand chain back into the chain bag, before operating the door again electrically.



WARNING

Turn off power to the operator before manually operating your door.



WARNING

Hand chain must be kept inside chain bag when operating electrically.

MAINTENANCE INSTRUCTIONS

The brake is a self-adjusting brake. It is maintenance free. The brake assembly requires no additional adjustments for its lifetime.

If an entrapment protection device is used, i.e. sensing edge or photoelectric sensors, please consult the manufacturer for maintenance instruction.



Disconnect power supply to the operator before servicing.

WARNING

Check the following items at the intervals listed:

CHECK LIST	DESCRIPTION	EVERY 3 MONTHS	EVERY 6 MONTHS	EVERY 12 MONTHS
Drive Chain	Check for excessive slack. Check & adjust as required Lubricate.	●		
Sprockets	Check set screw tightness	●		
Fasteners	Check & tighten as required		●	
Bearings & Shafts	Check for wear & lubricate	●		
Drop-test	Inspect door, drop-test for proper operation and full closure per NFPA-80			●

- ❖ Do not lubricate motor. Motor bearings are rated for continuous operation.
- ❖ Inspect and service whenever a malfunction either door or operator is observed or suspected.
- ❖ Before servicing, always disconnect power supply to the operator.
- ❖ Replace fuses only with those of the same type and rating.
- ❖ All replacement parts must be obtained from the door manufacturer per NFPA-80.



WARNING

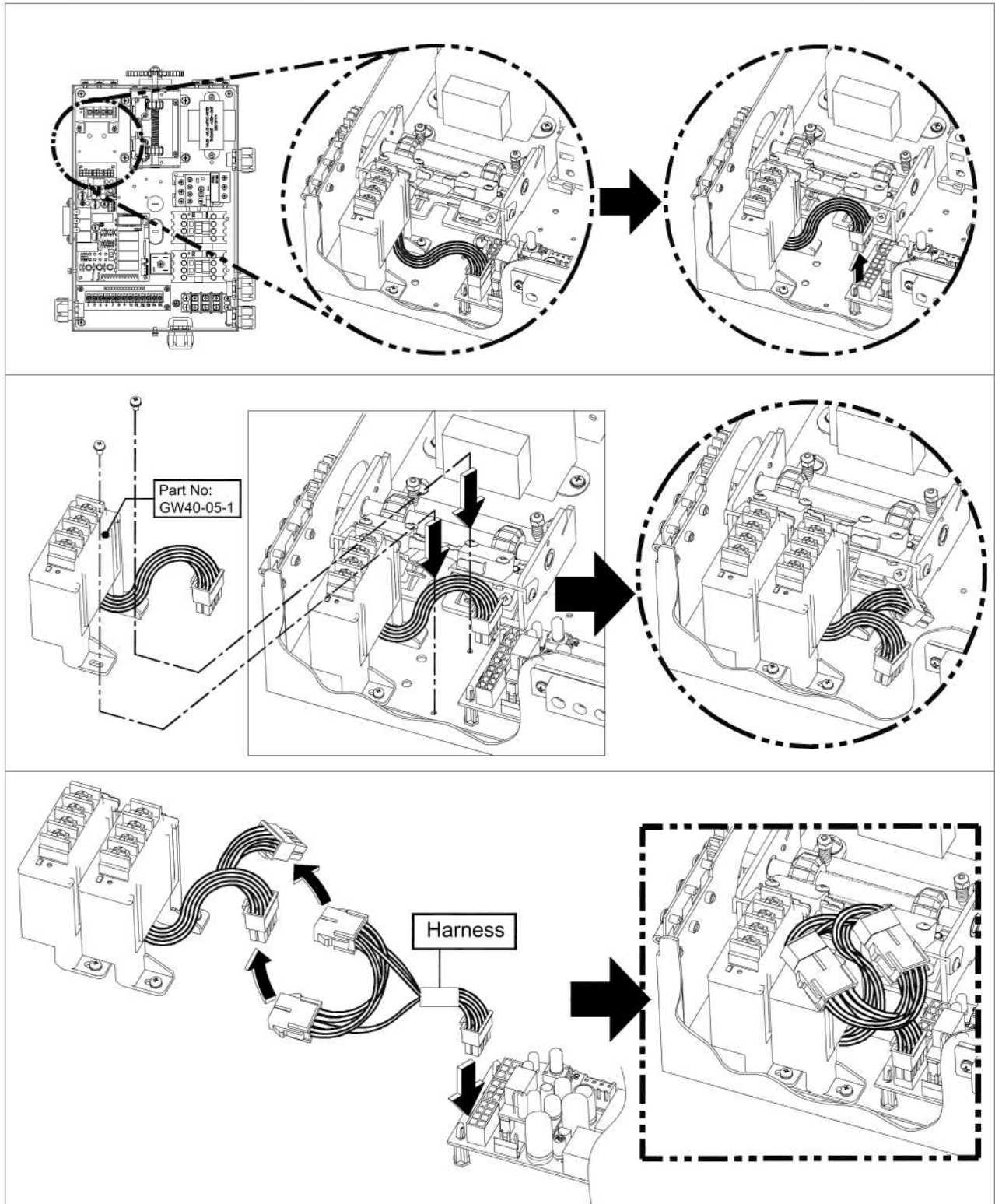
Do not place hands or tools in or near the operator when the power is connected or when testing control or sensing devices. Always disconnect power before servicing or adjusting the operator.

APPENDIX 1

Multiple Device Adapter With 2ND ELR/IR Instructions

Warning: Power OFF When Connecting.

QST-HB-ADAPTER-2



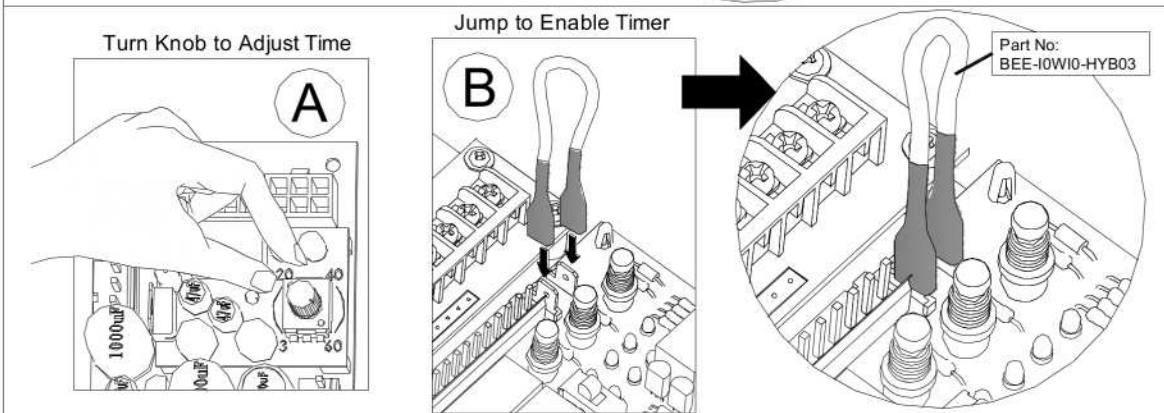
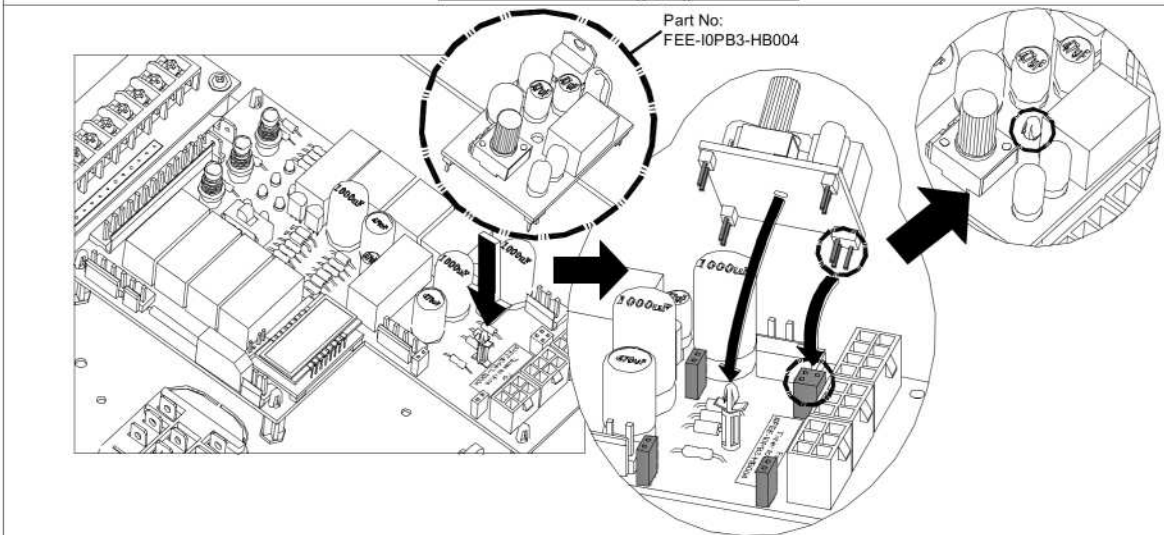
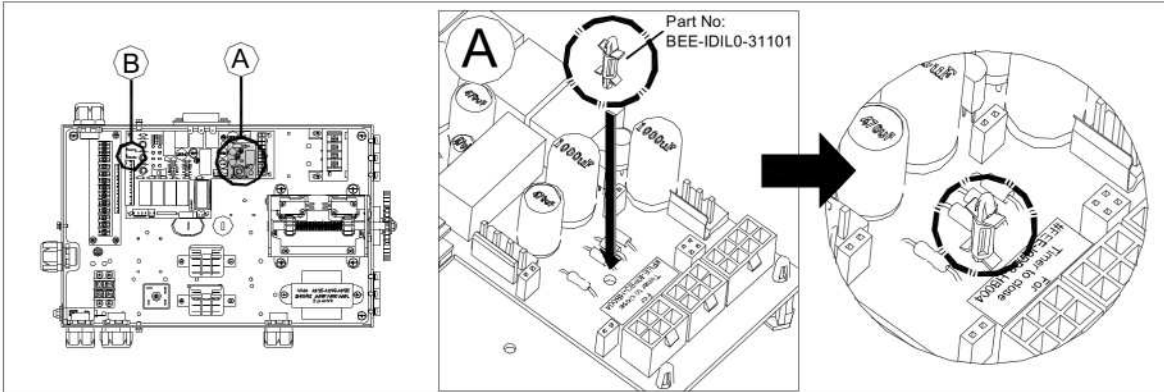
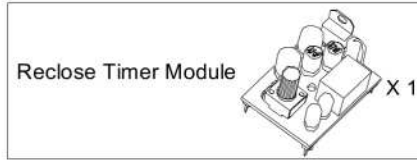
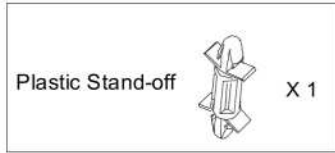
APPENDIX 2

GW40-10
Warning: Power OFF When
Connecting.

Reclose Timer Module Instructions

QST-HB-TIMER-4

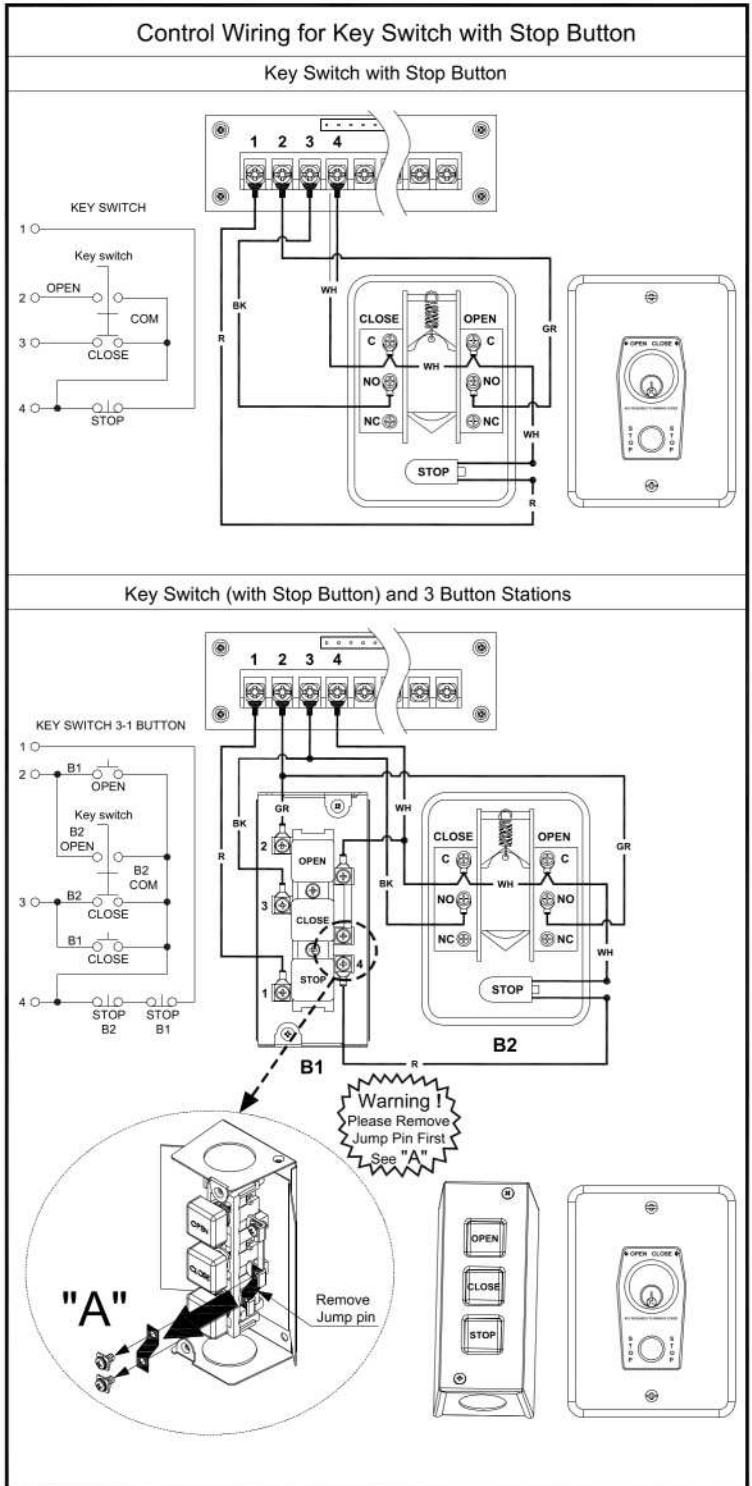
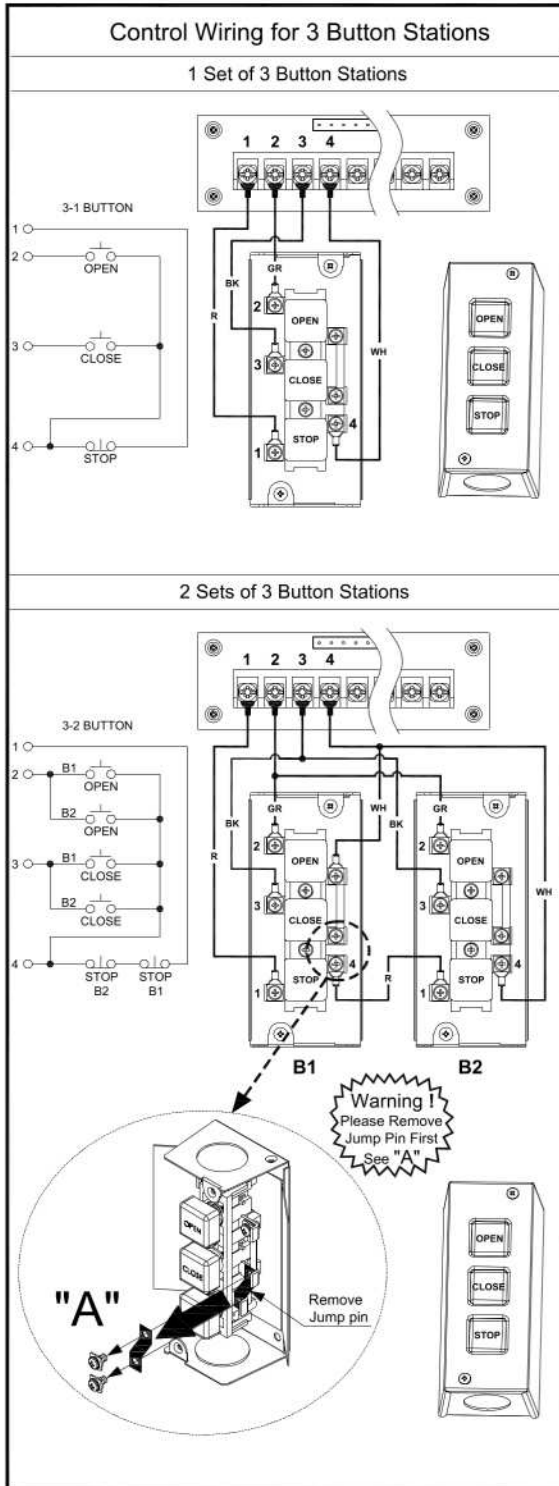
Contents:



APPENDIX 3

Control Connections Diagrams

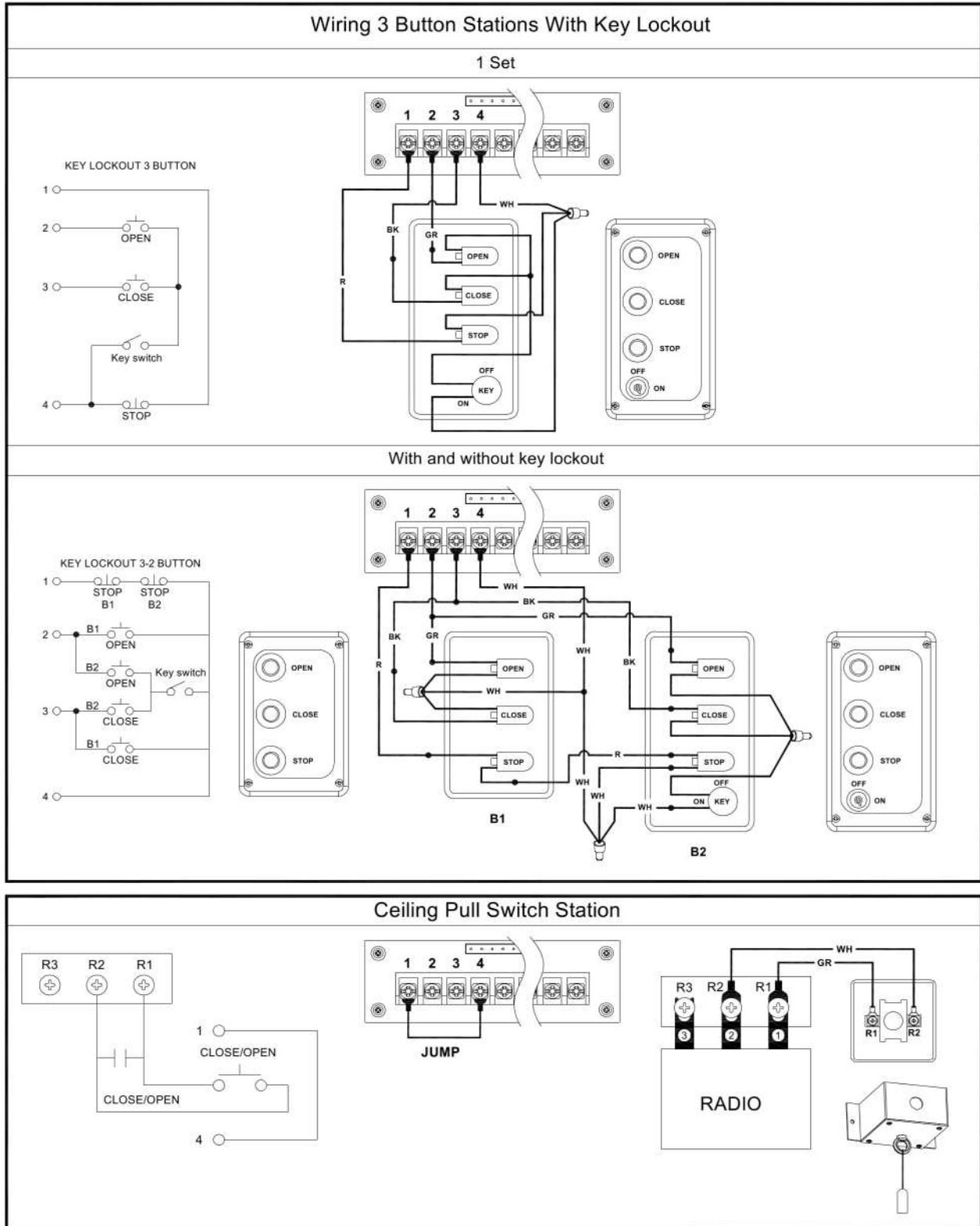
CCD-PCB-A01



APPENDIX 4

Control Connections Diagrams

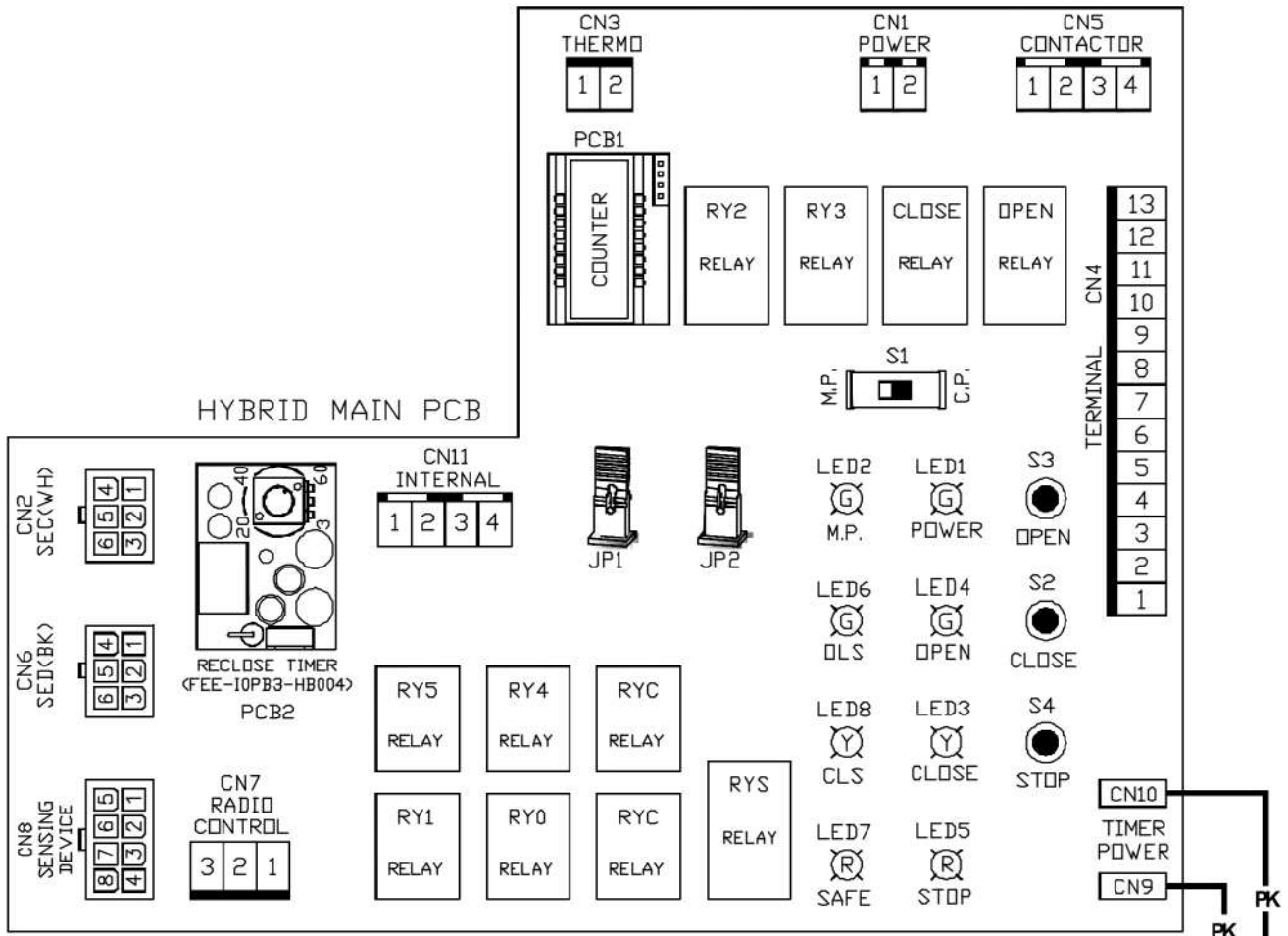
CCD-PCB-B02



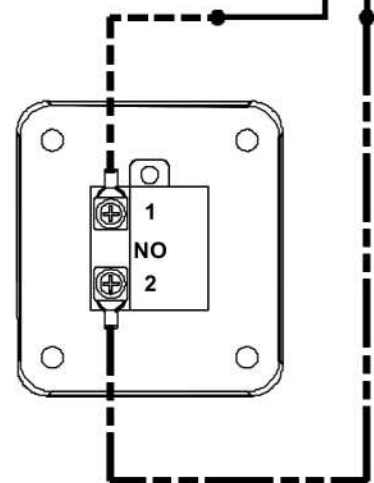
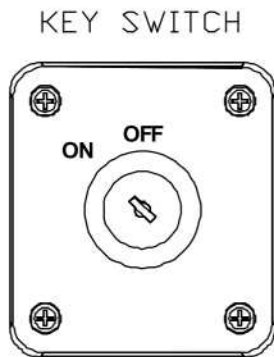
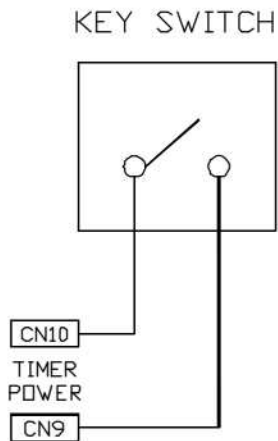
APPENDIX 5

EXTERNAL TIMER DEFEAT SWITCH CONNECTION-HYBRID BOARD

ETDS-HY002



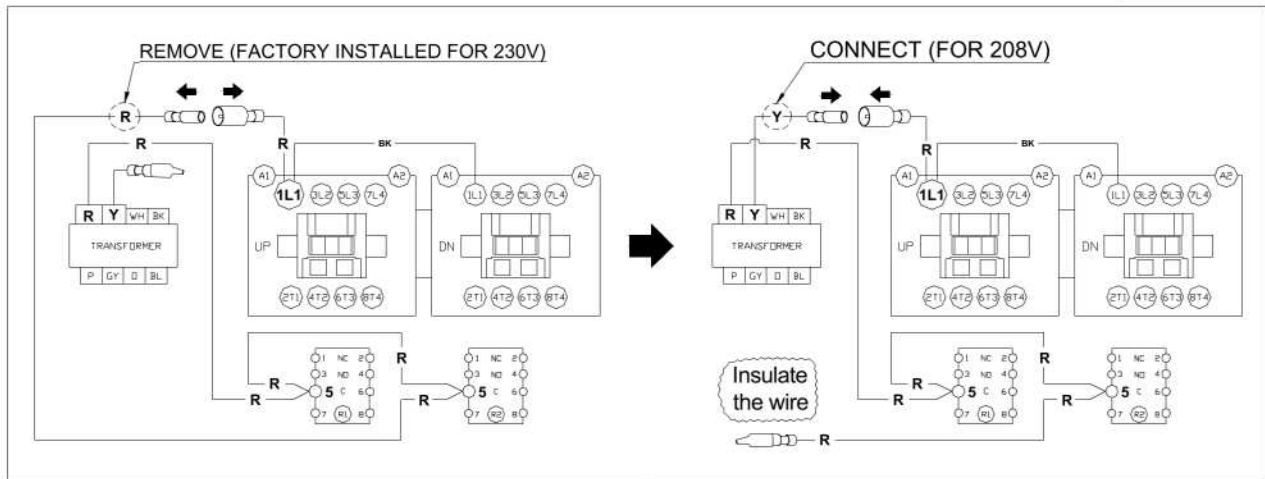
CUTTING CN9/CN10 JUMPER AND CONNECTING WIRES TO ON/OFF SWITCH.



APPENDIX 6

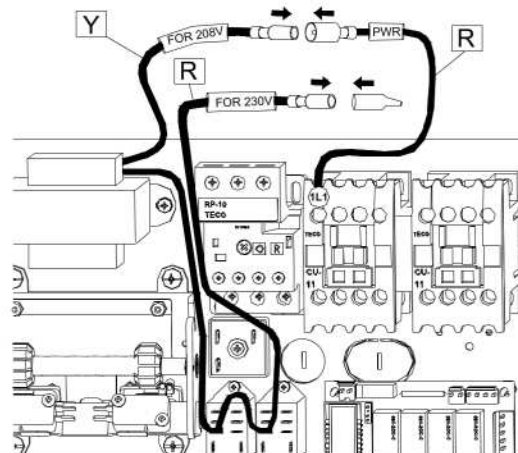
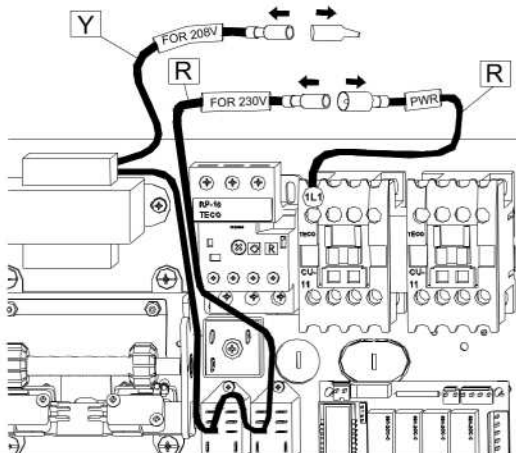
Wiring Change Instruction from 230V to 208V 3 Phase Operator Hybrid FG & SG E Series

FG-SG-HB-3P-V03

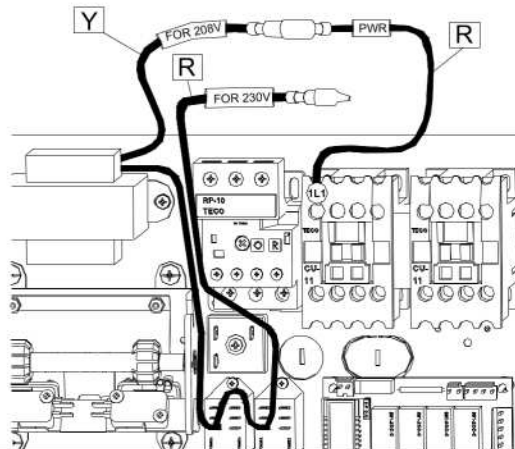


1. Unplug the red "230V" wire connector from the red "PWR" wire connector.
Remove the insulating cap from the yellow "208V" wire connector.

2. Put the insulating cap on the red "230V" wire connector.
Plug the yellow "208V" wire connector into the red "PWR" wire connector.



3. Completed.





» OPERADOR INDUSTRIAL VS FUEGO PARA CORTINA ENROLLABLE MARCA
COOKSON, CORNELL, RAYNOR LAWRENCE DOOR SERIE FGH 115V/230V
1/2HP, 3/4HP, 1HP, 1-1/2HP, 2HP.



Puertas & Portones Automáticos, S.A. de C.V.

¡Nuestra pasión es la Solución!....



Versión Digital.

(229) 461-7028



portonesautomaticos@adsver.com.mx
portonesautomaticos@prodigy.net.mx



RESIDENCIAL



COMERCIAL



INDUSTRIAL

MEMBER



International Door Association



V05.21